

PARTS LIST

[RX-9010VBK]

* All printed circuit boards and its assemblies are not available as service parts.

Area suffix

J ----- U.S.A.

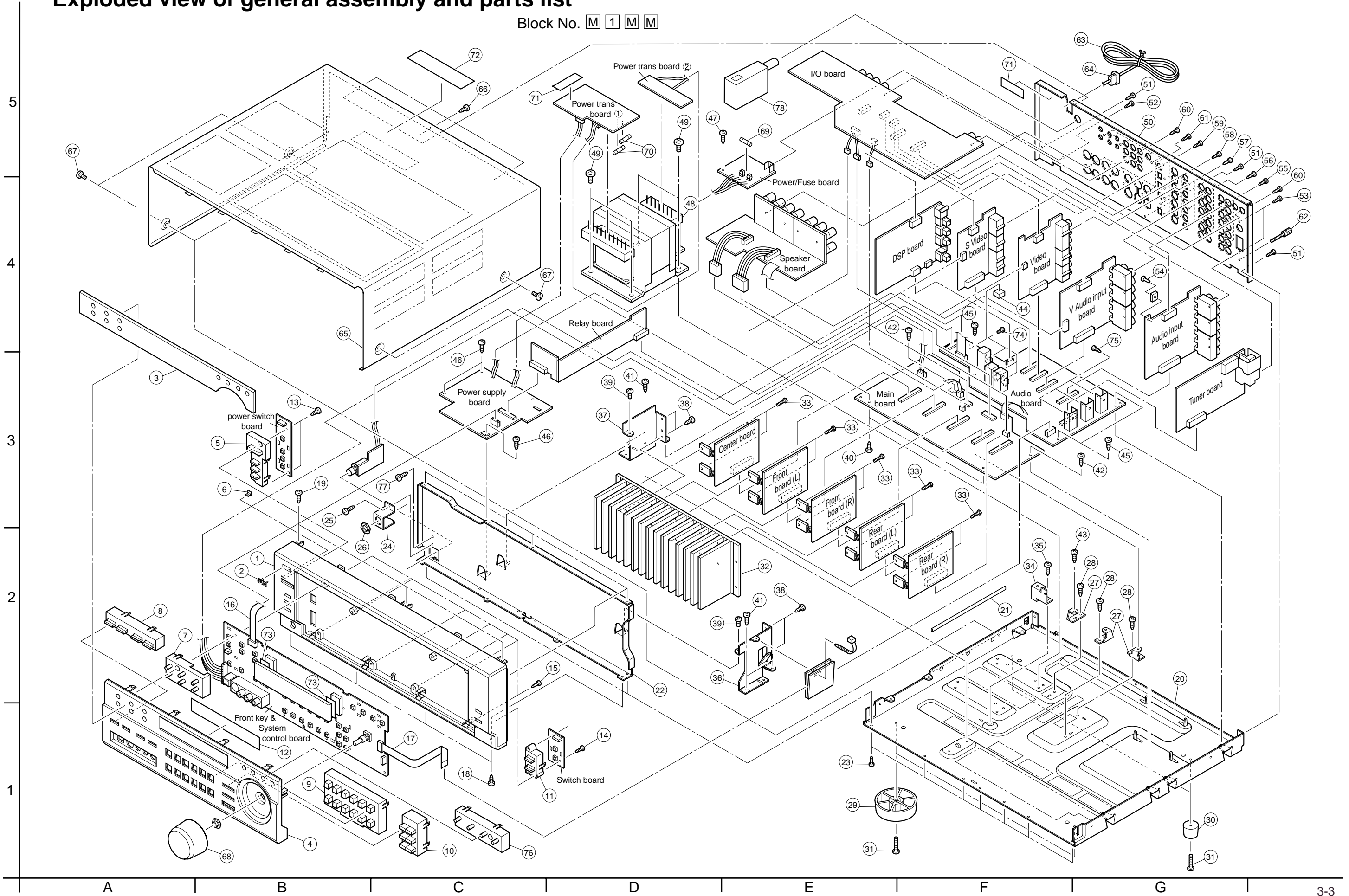
- Contents -

Exploded view of general assembly and parts list	3- 3
Electrical parts list	3- 5
Packing materials and accessories parts list	3-22

< MEMO >

Exploded view of general assembly and parts list

Block No. **M 1 M M**



■ Parts list (General assembly)

Block No. M1MM

△	Item	Parts number	Parts name	Q'ty	Description	Area
△	1	LV10469-007A	FRONT PANEL	1		
	2	VJD5429-001SS	JVC MARK	1		
	3	LV20950-004A	LENS	1		
	4	LV10470-001A	SUB PANEL	1		
	5	LV20939-001A	PUSH BUTTON	1	POWER	
	6	LV42096-001A	INDICATOR	1	POWER	
	7	LV20951-001A	PUSH BUTTON	1	TUNER	
	8	LV20940-001A	P.BUTTON ASSY	1	DOLBY	
	9	LV20944-001A	P.BUTTON ASSY	1	SOURCE	
	10	LV20942-001A	PUSH BUTTON	1	SEA	
	11	LV32486-001A	P.BUTTON ASSY	1	LINE STRAIGHT	
	12	LV42095-002A	FL SCREEN	1	FL	
	13	QYSBSF2610Z	SCREW	2	FRONT C.B	
	14	QYSBSF2610Z	SCREW	2		
	15	QYSBSF2610Z	SCREW	8	FRONT C.B FL	
	16	QUQ412-0815CJ	FFC WIRE	1		
	17	QUQ412-1030CJ	FFC WIRE	1		
	18	QYSDSG3006Z	SCREW	4	FRONT D	
	19	QYSBSG3006Z	T.SCREW	3	FRONT U	
	20	LV10019-003A	CHASSIS BASE	1		
	21	EXO150010H09S11	FELT SPACER	1	FOR C.BASE	
	22	LV10471-002A	FRONT BRACKET	1		
	23	QYSDSG3006Z	SCREW	7	C.B-F.B	
	24	LV42094-002A	H.P. BKT	1		
	25	QYSBSG3006Z	T.SCREW	1	H.P BKT-F.B	
	26	VKZ4150-001	SPECIAL NUT	1		
	27	E68587-223SM	CB BKT	3		
	28	QYSBST3006Z	T.SCREW	3	C.B-BKT	
	29	QZF6018-001	FOOT	2		
	30	E47227-036	FOOT	2		
	31	QYSBST3010Z	T.SCREW	4	FOOT	
	32	LV20984-002A	HEAT SINK	1		
	33	E73525-003SS	SCREW	10	TR	
	34	LV42098-001A	C.B BKT	1	PRI/SEC C.B	
	35	QYSBST3006Z	T.SCREW	1	C.B BKT	
	36	LV32433-001A	H.S BRACKET(R)	1		
	37	LV32434-001A	H.S BRACKET(L)	1		
	38	QYSBSG3008Z	T.SCREW	4	H.S-BKT	
	39	QYSBSG3006Z	T.SCREW	2	H.S BKT-F.BKT	
	40	QYSBSG3006Z	T.SCREW	2	H.S BKT	
	41	QYSBST3006Z	T.SCREW	4	H.S BKT-CHASSIS	
	42	QYSBSG3006Z	T.SCREW	2	M.C.B	
	43	E65923-003	TAPPING SCREW	1	M.C.B	
	44	LV30225-0B2A	SPACER	1		
	45	QYSBSG3006Z	T.SCREW	3	H.S-C.B	
	46	QYSBSG3006Z	T.SCREW	3	P.C.B	
	47	QYSBSG3006Z	T.SCREW	1	C.B-CHASSIS	
△	48	QQT0325-001	POWER TRANS.	1		

■ Parts list (General assembly)

Block No. M1MM

△	Item	Parts number	Parts name	Q'ty	Description	Area
	49	QYSDSTL4008Z	SPECIAL SCREW	4	P.TRANS	
	50	LV10472-012A	REAR PANEL	1		
	51	QYSBSGY3008M	SPECIAL SCREW	3	R.P-C.BASE	
	52	QYSBSGY3008M	SPECIAL SCREW	1	R.P-ud---	
	53	QYSBSGY3008M	SPECIAL SCREW	2	TUNER	
	54	FMYH4004-001	PLASTIC RIVET	1	A.INPUT	
	55	QYSBSGY3008M	SPECIAL SCREW	4	A.INPUT	
	56	QYSBSGY3008M	SPECIAL SCREW	4	V.INPUT	
	57	QYSBSGY3008M	SPECIAL SCREW	3	VIDEO	
	58	QYSBSGY3008M	SPECIAL SCREW	4	S VIDEO	
	59	QYSBSGY3008M	SPECIAL SCREW	6	DIGITAL	
	60	QYSBSGY3008M	SPECIAL SCREW	7	COMPONENT	
	61	QYSBSGY3008M	SPECIAL SCREW	4	SPK C.B	
	62	E409257-001	GND TERMINAL	1		
△	63	QMPD220-200-JD	POWER CORD	1		
△	64	QZW0033-001	STRAIN RELIEF	1		
	65	LV20038-009A/S/	TOP COVER	1		
	66	QYSBSGY3008M	SPECIAL SCREW	3		
	67	E406308-003	SPECIAL SCREW	4		
	68	LV32435-003A	VOL KNOB	1	BK	
△	69	QMF51U1-6R3-J8	FUSE	1	F1	
△	70	QMF51U1-2R0-J8	FUSE	2	F61 F62	
	71	LV42388-001A	FUSE CAUTION	2		
	72	E409394-001	CAUTION LABEL	1		
	73	E3400-444	FELT SPACER	2	FS400 FS401	
	74	QYSBSG3008E	T.SCREW	3		
	75	QYSBSG3008E	T.SCREW	3		
	76	LV20952-001A	PUSH BUTTON	1	RDS/M.ROOM	
	77	QYSBSG3006Z	T.SCREW	1		
	78	QAU0237-001	RF MODULE UNIT	1	RF UNIT	

■ Electrical parts list (Main board)

Block No. 01

△	Item	Parts number	Parts name	Remarks	Area
	C 801	QCE22HP-103	C CAPACITOR	.010MF +100:-0%	
	C 802	QCE22HP-103	C CAPACITOR	.010MF +100:-0%	
	C 805	QCE22HP-103	C CAPACITOR	.010MF +100:-0%	
	C 807	QEZ0462-688	E CAPACITOR	6800MF	
	C 808	QEZ0462-688	E CAPACITOR	6800MF	
	C 811	QCF31HZ-472Z	C CAPACITOR	4700PF +80:-20%	
	C 816	QETN1EM-476Z	E CAPACITOR	47MF 20% 25V	
	C 823	QETN1CM-476Z	E CAPACITOR	47MF 20% 16V	
	C 824	QETN1EM-106Z	E CAPACITOR	10MF 20% 25V	
	CN 72	QGB2510K1-11	CONNECTOR		
	CN 82	QGB2510K1-09	CONNECTOR		
	CN491	QGD2503F1-04	SOCKET		
	CN701	QGB2510J1-14	CONNECTOR		
	CN702	QGB2510J1-14	CONNECTOR		
	CN703	QGB2510J1-10	CONNECTOR		
	CN705	QGB2510J1-12	CONNECTOR		
	CN706	QGB2510J1-12	CONNECTOR		
	CN721	QGA2501C1-03	3P CONNECTOR		
	CN723	QGA2501C1-04	4P CONNECTOR		
	CN801	QJK012-032403	SKT WIRE ASSY		
	CN813	QGA3901C1-04	4P CONNECTOR		
	CN814	QGA3901C1-06	6P PLUG ASSY		
△	CN823	QJK015-043004	SKT WIRE ASSY		
△	CN824	QJK015-063504	SKT WIRE ASSY		
	CN831	QGD2501C1-04Z	SOCKET		
	CN881	QGD2501C1-03Z	SOCKET		
△	D 801	30DF2-FC	DIODE		
△	D 802	30DF2-FC	DIODE		
△	D 803	30DF2-FC	DIODE		
△	D 804	30DF2-FC	DIODE		
	D 811	MTZJ24C-T2	Z DIODE		
	D 816	MTZJ18C-T2	Z DIODE		
	D 825	1SS133-T2	SI DIODE		
	D 831	1SS133-T2	SI DIODE		
	D 832	1SS133-T2	SI DIODE		
	D 835	1SS133-T2	SI DIODE		
	D 851	1SS133-T2	SI DIODE		
	D 852	1SS133-T2	SI DIODE		
	D 871	1SS133-T2	SI DIODE		
	EP801	QNZ0136-001Z	EARTH PLATE		
	FW931	QUM137-08DGZ4	PARA RIBON WIRE		
	Q 811	2SD2395/EF/	TRANSISTOR		
	Q 812	KTC3200/GL/-T	TRANSISTOR		
	Q 823	KTC3199/GL/-T	TRANSISTOR		
	Q 824	KTC3200/GL/-T	TRANSISTOR		
	Q 825	KTA1268/GL/-T	TRANSISTOR		
	R 801	QRE141J-104Y	C RESISTOR	100K 5% 1/4W	
	R 802	QRE141J-104Y	C RESISTOR	100K 5% 1/4W	
	R 811	QRJ146J-150X	UNF C RESISTOR	15 5% 1/4W	
	R 812	QRK126J-332X	UNF C RESISTOR	3.3K 5% 1/2W	
	R 813	QRE141J-473Y	C RESISTOR	47K 5% 1/4W	
	R 814	QRE141J-103Y	C RESISTOR	10K 5% 1/4W	
	R 815	QRJ146J-120X	UNF C RESISTOR	12 5% 1/4W	
	R 816	QRL022J-332	UNF OMF RESISTOR	3.3K 5% 1/2W	
	R 823	QRE141J-103Y	C RESISTOR	10K 5% 1/4W	
	R 824	QRE141J-134Y	C RESISTOR	130K 5% 1/4W	
	R 825	QRE141J-103Y	C RESISTOR	10K 5% 1/4W	
	R 826	QRE141J-104Y	C RESISTOR	100K 5% 1/4W	
	R 831	QRJ146J-120X	UNF C RESISTOR	12 5% 1/4W	
	R 832	QRJ146J-120X	UNF C RESISTOR	12 5% 1/4W	
	R 835	QRJ146J-120X	UNF C RESISTOR	12 5% 1/4W	
	R 841	QRE141J-104Y	C RESISTOR	100K 5% 1/4W	
	R 842	QRE141J-823Y	C RESISTOR	82K 5% 1/4W	

△	Item	Parts number	Parts name	Remarks	Area
	R 843	QRE141J-104Y	C RESISTOR	100K 5% 1/4W	
	R 844	QRE141J-104Y	C RESISTOR	100K 5% 1/4W	
	R 845	QRE141J-823Y	C RESISTOR	82K 5% 1/4W	
	R 851	QRJ146J-120X	UNF C RESISTOR	12 5% 1/4W	
	R 852	QRJ146J-120X	UNF C RESISTOR	12 5% 1/4W	
	R 871	QRJ146J-120X	UNF C RESISTOR	12 5% 1/4W	
	RY831	QSK0109-001	RELAY		
	RY832	QSK0109-001	RELAY		
	RY833	QSK0109-001	RELAY		
	RY851	QSK0109-001	RELAY		
	RY852	QSK0109-001	RELAY		
	RY871	QSK0109-001	RELAY		
	S 831	QSW0509-001	SLIDE SW		
	ST831	QNB0105-002	SPK TERMINAL		
	ST851	QNB0078-001	SPK TERMINAL		

■ Electrical parts list (Front board)

Block No. 02

△	Item	Parts number	Parts name	Remarks	Area	△	Item	Parts number	Parts name	Remarks	Area
	BK400	LV42092-001A	FL HOLDER(R)				IC410	PCM2702E-X	IC		
	BK401	LV42093-001A	FL HOLDER(L)				IC411	NJU7241F33-X	IC		
	C 400	QEKC1HM-475Z	E CAPACITOR	4.7MF 20% 50V			J 400	QND0026-001	S JACK		
	C 401	NCB31CK-104X	C CAPACITOR				J 401	QNZ0541-001	USB JACK		
	C 402	NCB31CK-104X	C CAPACITOR				JS400	QSW0898-001	JOG VOLUME		
	C 404	NCB31EK-223X	C CAPACITOR				K 451	NQR0201-018X	INDUCTOR		
	C 406	NCB31HK-331X	C CAPACITOR				K 452	NQR0201-018X	INDUCTOR		
	C 407	QCZ0205-155Z	ML C CAPACITOR	1.5MF			K 453	NQR0201-018X	INDUCTOR		
	C 408	NCB31EK-223X	C CAPACITOR				K 454	NQR0201-018X	INDUCTOR		
	C 409	QEKC1HM-475Z	E CAPACITOR	4.7MF 20% 50V			K 455	NQR0201-018X	INDUCTOR		
	C 410	QEKC1HM-475Z	E CAPACITOR	4.7MF 20% 50V			K 456	NQR0201-018X	INDUCTOR		
	C 411	NCB21AK-225X	C CAPACITOR				Q 402	DTC114TKA-X	TRANSISTOR		
	C 412	QEKC0JM-107Z	E CAPACITOR	100MF 20% 6.3V			Q 403	DTC144WKA-X	TRANSISTOR		
	C 420	NCB31HK-471X	C CAPACITOR				Q 404	DTC114YKA-X	D TRANSISTOR		
	C 421	NCB31HK-471X	C CAPACITOR				Q 407	DTC114YKA-X	D TRANSIST		
	C 422	NCB31HK-471X	C CAPACITOR				Q 408	DTC114YKA-X	D TRANSIST		
	C 423	NCB31HK-471X	C CAPACITOR				Q 410	DTA114YKA-X	TRANSISTOR	(DIRECT)	
	C 424	NCB31HK-471X	C CAPACITOR				Q 411	DTA114YKA-X	TRANSISTOR	(BASS)	
	C 425	NCB31HK-471X	C CAPACITOR				Q 412	DTA114YKA-X	TRANSISTOR	(STANBY)	
	C 430	NCB31EK-223X	C CAPACITOR				Q 413	DTA114YKA-X	TRANSISTOR	(SURROUND)	
	C 431	NCB31EK-223X	C CAPACITOR				Q 414	DTA114YKA-X	TRANSISTOR	(DSP)	
	C 432	NCS31HJ-220X	C CAPACITOR				R 400	NRSA63J-102X	MG RESISTOR		
	C 433	NCS31HJ-220X	C CAPACITOR				R 401	NRSA63J-102X	MG RESISTOR		
	C 435	NCB31EK-104X	C CAPACITOR				R 402	NRSA63J-122X	MG RESISTOR		
	C 436	NCB31EK-104X	C CAPACITOR				R 403	NRSA63J-102X	MG RESISTOR		
	C 437	NCB31EK-104X	C CAPACITOR				R 404	NRSA63J-102X	MG RESISTOR		
	C 438	NCB31EK-104X	C CAPACITOR				R 405	NRSA63J-122X	MG RESISTOR		
	C 439	NCB31EK-104X	C CAPACITOR				R 406	NRSA63J-152X	MG RESISTOR		
	C 440	NCB31EK-104X	C CAPACITOR				R 407	NRSA63J-222X	MG RESISTOR		
	C 441	QEKC1CM-106Z	E CAPACITOR	10MF 20% 16V			R 408	NRSA63J-272X	MG RESISTOR		
	C 442	QETN1AM-107Z	E CAPACITOR	100MF 20% 10V			R 409	NRSA63J-392X	MG RESISTOR		
	C 443	QETN1AM-107Z	E CAPACITOR	100MF 20% 10V			R 410	NRSA63J-102X	MG RESISTOR		
	C 444	NCS31HJ-331X	C CAPACITOR				R 411	NRSA63J-102X	MG RESISTOR		
	C 456	NCB31EK-104X	C CAPACITOR				R 412	NRSA63J-122X	MG RESISTOR		
	CN406	WJP0031-001A	C-B WIRE ASSY				R 413	NRSA63J-152X	MG RESISTOR		
	CN410	QGF1205F1-10	CONNECTOR				R 414	NRSA63J-222X	MG RESISTOR		
	CN412	QGF1205F1-08	CONNECTOR				R 415	NRSA63J-272X	MG RESISTOR		
	CN420	QJK025-031301	C-B WIRE ASSY	(LEFT)			R 416	NRSA63J-392X	MG RESISTOR		
	CN422	QJK025-041201	SIN ID C-B WIRE	(RIGHT)			R 417	NRSA63J-102X	MG RESISTOR		
	CN430	QGA2501C1-03	3P CONNECTOR				R 418	NRSA63J-102X	MG RESISTOR		
	CN432	QGA2501C1-04	4P CONNECTOR				R 419	NRSA63J-122X	MG RESISTOR		
	D 405	1SS133-T2	SI DIODE				R 420	NRSA63J-152X	MG RESISTOR		
	D 410	SLR-342VC-T	LED	(FM/AM)			R 421	NRSA63J-222X	MG RESISTOR		
	D 411	SLR-342VC-T	LED	(USB)			R 422	NRSA63J-272X	MG RESISTOR		
	D 412	SLR-342VC-T	LED	(TAPE)			R 423	NRSA63J-392X	MG RESISTOR		
	D 413	SLR-342VC-T	LED	(CDR)			R 424	NRSA63J-102X	MG RESISTOR		
	D 414	SLR-342VC-T	LED	(PHONE)			R 425	NRSA63J-102X	MG RESISTOR		
	D 415	SLR-342VC-T	LED	(CD)			R 426	NRSA63J-122X	MG RESISTOR		
	D 416	SLR-342VC-T	LED	(TV/DBS)			R 427	NRSA63J-152X	MG RESISTOR		
	D 417	SLR-342VC-T	LED	(VIDEO)			R 428	NRSA63J-222X	MG RESISTOR		
	D 418	SLR-342VC-T	LED	(VCR2)			R 429	NRSA63J-272X	MG RESISTOR		
	D 419	SLR-342VC-T	LED	(VCR1)			R 430	NRSA63J-392X	MG RESISTOR		
	D 420	SLR-342VC-T	LED	(DVD MULTI)			R 431	NRSA63J-102X	MG RESISTOR		
	D 421	SLR-342VC-T	LED	(DVD)			R 432	NRSA63J-102X	MG RESISTOR		
	D 422	SLR-342VC-T	LED	(SURROUND)			R 433	NRSA63J-122X	MG RESISTOR		
	D 423	SLR-342VC-T	LED	(DSP)			R 434	NRSA63J-152X	MG RESISTOR		
	D 480	SLR-342VC-T	LED	(STANDBY)			R 435	NRSA63J-222X	MG RESISTOR		
	D 490	SLR-342VC-T	LED	(DIRECT)			R 436	NRSA63J-102X	MG RESISTOR		
	D 491	SLR-342VC-T	LED	(BASS)			R 437	NRSA63J-102X	MG RESISTOR		
	DI400	QLF0084-001	FL TUBE				R 438	NRSA63J-122X	MG RESISTOR		
	IC400	MN101C35DHL1	IC	u-h--			R 439	NRSA63J-152X	MG RESISTOR		
	IC402	BU2092	IC				R 440	NRSA63J-222X	MG RESISTOR		
	IC404	GP1U281X	IC				R 441	NRSA63J-272X	MG RESISTOR		

■ Electrical parts list (Front board)

Block No. 02

△	Item	Parts number	Parts name	Remarks	Area
	R 442	NRSA63J-392X	MG RESISTOR		
	R 443	NRSA63J-102X	MG RESISTOR		
	R 445	NRSA63J-103X	MG RESISTOR		
	R 446	NRSA63J-103X	MG RESISTOR		
	R 447	NRSA63J-103X	MG RESISTOR		
	R 448	NRSA63J-103X	MG RESISTOR		
	R 449	NRSA63J-103X	MG RESISTOR		
	R 450	NRSA63J-103X	MG RESISTOR		
	R 451	NRSA63J-103X	MG RESISTOR		
	R 452	NRSA63J-103X	MG RESISTOR		
	R 453	NRSA63J-103X	MG RESISTOR		
	R 454	NRSA63J-103X	MG RESISTOR		
	R 455	NRSA63J-471X	MG RESISTOR		
	R 456	NRSA63J-103X	MG RESISTOR		
	R 457	NRSA63J-103X	MG RESISTOR		
	R 458	NRSA63J-103X	MG RESISTOR		
	R 459	NRSA63J-221X	MG RESISTOR		
	R 460	NRSA63J-221X	MG RESISTOR		
	R 461	NRSA63J-221X	MG RESISTOR		
	R 462	NRSA63J-221X	MG RESISTOR		
	R 463	NRSA63J-221X	MG RESISTOR		
	R 464	NRSA63J-221X	MG RESISTOR		
	R 465	NRSA63J-331X	MG RESISTOR		
	R 466	NRSA63J-331X	MG RESISTOR		
	R 467	NRSA63J-221X	MG RESISTOR		
	R 468	NRSA63J-221X	MG RESISTOR		
	R 469	NRSA63J-221X	MG RESISTOR		
	R 470	NRSA63J-750X	MG RESISTOR		
	R 471	NRSA63J-750X	MG RESISTOR		
	R 472	NRSA63J-750X	MG RESISTOR		
	R 473	NRSA63J-152X	MG RESISTOR		
	R 474	NRSA63J-105X	MG RESISTOR		
	R 475	NRSA63J-220X	MG RESISTOR		
	R 476	NRSA63J-220X	MG RESISTOR		
	R 477	NRSA63J-220X	MG RESISTOR		
	R 479	NRSA63J-181X	MG RESISTOR		
	R 480	NRSA63J-152X	MG RESISTOR		
	R 481	NRSA63J-222X	MG RESISTOR		
	R 482	NRSA63J-272X	MG RESISTOR		
	R 483	NRSA63J-392X	MG RESISTOR		
	R 490	NRSA63J-272X	MG RESISTOR		
	R 491	NRSA63J-392X	MG RESISTOR		
	R 495	NRSA63J-102X	MG RESISTOR		
	S 400	QSW0683-001Z	PUSH SWITCH	(SURROUND)	
	S 401	QSW0683-001Z	PUSH SWITCH	(DSP MODE)	
	S 402	QSW0683-001Z	PUSH SWITCH	(INPUT MODE)	
	S 403	QSW0683-001Z	PUSH SWITCH	(TUNING UP)	
	S 404	QSW0683-001Z	PUSH SWITCH	(PRESET UP)	
	S 405	QSW0683-001Z	PUSH SWITCH	(FM MODE)	
	S 406	QSW0683-001Z	PUSH SWITCH	(MEMORY)	
	S 407	QSW0683-001Z	PUSH SWITCH	(MIDNIGHT MODE)	
	S 408	QSW0683-001Z	PUSH SWITCH	(DVD)	
	S 409	QSW0683-001Z	PUSH SWITCH	(DVD MULTI)	
	S 410	QSW0683-001Z	PUSH SWITCH	(TUNING DOWN)	
	S 411	QSW0683-001Z	PUSH SWITCH	(PRESET DOWN)	
	S 412	QSW0683-001Z	PUSH SWITCH	(VCR1)	
	S 413	QSW0683-001Z	PUSH SWITCH	(VCR2)	
	S 414	QSW0683-001Z	PUSH SWITCH	(VIDEO)	
	S 415	QSW0683-001Z	PUSH SWITCH	(CD)	
	S 416	QSW0683-001Z	PUSH SWITCH	(TV/DBS)	
	S 417	QSW0683-001Z	PUSH SWITCH	(CDR)	
	S 418	QSW0683-001Z	PUSH SWITCH	(USB AUDIO)	
	S 419	QSW0683-001Z	PUSH SWITCH	(PHONE)	

△	Item	Parts number	Parts name	Remarks	Area
	S 420	QSW0683-001Z	PUSH SWITCH	(FM/AM)	
	S 421	QSW0683-001Z	PUSH SWITCH	(DIGITAL SEA)	
	S 422	QSW0683-001Z	PUSH SWITCH	(LEVEL ADJUST)	
	S 423	QSW0683-001Z	PUSH SWITCH	(TAPE/MD)	
	S 424	QSW0683-001Z	PUSH SWITCH	(DOWN)	
	S 425	QSW0683-001Z	PUSH SWITCH	(EFFECT)	
	S 426	QSW0683-001Z	PUSH SWITCH	(SETTING)	
	S 427	QSW0683-001Z	PUSH SWITCH	(MAIN/EON)	
	S 428	QSW0683-001Z	PUSH SWITCH	(SUB/PTY)	
	S 429	QSW0683-001Z	PUSH SWITCH	(SUB CTL/TA)	
	S 430	QSW0683-001Z	PUSH SWITCH	(DIMMER/DISP)	
	S 431	QSW0683-001Z	PUSH SWITCH	(UP)	
	S 480	QSW0683-001Z	PUSH SWITCH	(POWER)	
	S 481	QSW0683-001Z	PUSH SWITCH	(SPK1)	
	S 482	QSW0683-001Z	PUSH SWITCH	(SPK2)	
	S 483	QSW0683-001Z	PUSH SWITCH	(SUBWFR)	
	S 490	QSW0683-001Z	PUSH SWITCH	(DIRECT)	
	S 491	QSW0683-001Z	PUSH SWITCH	(BASS)	
	X 400	QAX0246-001Z	RESONATOR		
	X 410	QAX0320-001Z	CRYSTAL		

■ Electrical parts list (Power board)

Block No. 03

△	Item	Parts number	Parts name	Remarks	Area
	C 701	QTE1V06-106Z	E CAPACITOR		
	C 702	QTE1V06-106Z	E CAPACITOR		
	C 703	QCS31HJ-101Z	C CAPACITOR	100PF 5% 50V	
	C 704	QCS31HJ-101Z	C CAPACITOR	100PF 5% 50V	
	C 705	QCS31HJ-101Z	C CAPACITOR	100PF 5% 50V	
	C 706	QCS31HJ-101Z	C CAPACITOR	100PF 5% 50V	
	C 707	QETN1CM-107Z	E CAPACITOR	100MF 20% 16V	
	C 708	QETN1CM-107Z	E CAPACITOR	100MF 20% 16V	
	C 709	QCS31HJ-100Z	C CAPACITOR	10PF 5% 50V	
	C 710	QCS31HJ-100Z	C CAPACITOR	10PF 5% 50V	
	C 711	QFLC1HJ-103Z	M CAPACITOR	.010MF 5% 50V	
	C 712	QFLC1HJ-103Z	M CAPACITOR	.010MF 5% 50V	
	C 713	QCS31HJ-680Z	C CAPACITOR	68PF 5% 50V	
	C 714	QCS31HJ-680Z	C CAPACITOR	68PF 5% 50V	
	C 715	QCS31HJ-680Z	C CAPACITOR	68PF 5% 50V	
	C 716	QCS31HJ-680Z	C CAPACITOR	68PF 5% 50V	
	C 717	QCS32HJ-220Z	C CAPACITOR	22PF 5% 500V	
	C 718	QCS32HJ-220Z	C CAPACITOR	22PF 5% 500V	
	C 719	QFLC1HJ-472Z	M CAPACITOR	4700PF 5% 50V	
	C 720	QFLC1HJ-472Z	M CAPACITOR	4700PF 5% 50V	
	C 741	QETN2AM-476Z	E CAPACITOR	47MF 20% 100V	
	C 742	QETN2AM-476Z	E CAPACITOR	47MF 20% 100V	
	C 745	QETN2AM-476Z	E CAPACITOR	47MF 20% 100V	
	C 746	QETN2AM-476Z	E CAPACITOR	47MF 20% 100V	
	C 751	QCS32HJ-470Z	C CAPACITOR	47PF 5% 500V	
	C 752	QCS32HJ-470Z	C CAPACITOR	47PF 5% 500V	
	C 753	QCS32HJ-470Z	C CAPACITOR	47PF 5% 500V	
	C 754	QCS32HJ-470Z	C CAPACITOR	47PF 5% 500V	
	C 791	QFLC1HJ-473Z	M CAPACITOR	.047MF 5% 50V	
	C 792	QFLC1HJ-473Z	M CAPACITOR	.047MF 5% 50V	
	C 793	QFLC1HJ-473Z	M CAPACITOR	.047MF 5% 50V	
	C 794	QFLC1HJ-473Z	M CAPACITOR	.047MF 5% 50V	
	C 795	QCF31HZ-223Z	C CAPACITOR	.022MF +80:-20%	
	C 796	QCF31HZ-223Z	C CAPACITOR	.022MF +80:-20%	
	CN711	QGB2510K1-14	CONNECTOR		
	CN712	QGB2510K1-14	CONNECTOR		
	CN713	QGB2510K1-10	CONNECTOR		
	CN715	QGB2510K1-12	CONNECTOR		
	CN716	QGB2510K1-12	CONNECTOR		
	CN722	QGA2501F1-02	CONNECTOR		
	C1701	QETN1HM-105Z	E CAPACITOR	1.0MF 20% 50V	
	C1702	QCS31HJ-101Z	C CAPACITOR	100PF 5% 50V	
	C1703	QCS31HJ-101Z	C CAPACITOR	100PF 5% 50V	
	C1704	QETN1CM-107Z	E CAPACITOR	100MF 20% 16V	
	C1705	QCS31HJ-5R0Z	C CAPACITOR	5.0PF 5% 50V	
	C1711	QCS32HJ-330Z	C CAPACITOR	33PF 5% 500V	
	C1712	QFLC1HJ-103Z	M CAPACITOR	.010MF 5% 50V	
	C1713	QETN1HM-225Z	E CAPACITOR	2.2MF 20% 50V	
	C1715	QETN1HM-476Z	E CAPACITOR	47MF 20% 50V	
	C1741	QETN2AM-476Z	E CAPACITOR	47MF 20% 100V	
	C1743	QETN2AM-476Z	E CAPACITOR	47MF 20% 100V	
	C1751	QCS32HJ-470Z	C CAPACITOR	47PF 5% 500V	
	C1752	QCS32HJ-470Z	C CAPACITOR	47PF 5% 500V	
	C1761	QFLC1HJ-473Z	M CAPACITOR	.047MF 5% 50V	
	C1762	QFLC1HJ-473Z	M CAPACITOR	.047MF 5% 50V	
	C1791	QCF31HZ-223Z	C CAPACITOR	.022MF +80:-20%	
	C1801	QETN1HM-105Z	E CAPACITOR	1.0MF 20% 50V	
	C1802	QETN1HM-105Z	E CAPACITOR	1.0MF 20% 50V	
	C1803	QCS31HJ-181Z	C CAPACITOR	180PF 5% 50V	
	C1804	QCS31HJ-181Z	C CAPACITOR	180PF 5% 50V	
	C1805	QCS31HJ-101Z	C CAPACITOR	100PF 5% 50V	
	C1806	QCS31HJ-101Z	C CAPACITOR	100PF 5% 50V	
	C1807	QETN1CM-107Z	E CAPACITOR	100MF 20% 16V	

△	Item	Parts number	Parts name	Remarks	Area
	C1808	QETN1CM-107Z	E CAPACITOR	100MF 20% 16V	
	C1809	QCS31HJ-5R0Z	C CAPACITOR	5.0PF 5% 50V	
	C1810	QCS31HJ-5R0Z	C CAPACITOR	5.0PF 5% 50V	
	C1811	QCS32HJ-330Z	C CAPACITOR	33PF 5% 500V	
	C1812	QCS32HJ-330Z	C CAPACITOR	33PF 5% 500V	
	C1813	QFLC1HJ-103Z	M CAPACITOR	.010MF 5% 50V	
	C1814	QFLC1HJ-103Z	M CAPACITOR	.010MF 5% 50V	
	C1815	QETN1HM-225Z	E CAPACITOR	2.2MF 20% 50V	
	C1816	QETN1HM-225Z	E CAPACITOR	2.2MF 20% 50V	
	C1817	QETN1HM-476Z	E CAPACITOR	47MF 20% 50V	
	C1818	QETN1HM-476Z	E CAPACITOR	47MF 20% 50V	
	C1841	QETN2AM-476Z	E CAPACITOR	47MF 20% 100V	
	C1842	QETN2AM-476Z	E CAPACITOR	47MF 20% 100V	
	C1843	QETN2AM-476Z	E CAPACITOR	47MF 20% 100V	
	C1844	QETN2AM-476Z	E CAPACITOR	47MF 20% 100V	
	C1851	QCS32HJ-470Z	C CAPACITOR	47PF 5% 500V	
	C1852	QCS32HJ-470Z	C CAPACITOR	47PF 5% 500V	
	C1853	QCS32HJ-470Z	C CAPACITOR	47PF 5% 500V	
	C1854	QCS32HJ-470Z	C CAPACITOR	47PF 5% 500V	
	C1861	QFLC1HJ-473Z	M CAPACITOR	.047MF 5% 50V	
	C1862	QFLC1HJ-473Z	M CAPACITOR	.047MF 5% 50V	
	C1863	QFLC1HJ-473Z	M CAPACITOR	.047MF 5% 50V	
	C1864	QFLC1HJ-473Z	M CAPACITOR	.047MF 5% 50V	
	C1891	QCF31HZ-223Z	C CAPACITOR	.022MF +80:-20%	
	C1892	QCF31HZ-223Z	C CAPACITOR	.022MF +80:-20%	
	D 701	1SS133-T2	SI DIODE		
	D 702	1SS133-T2	SI DIODE		
	D 703	1SS133-T2	SI DIODE		
	D 704	1SS133-T2	SI DIODE		
	D 771	1SS133-T2	SI DIODE		
	D 772	1SS133-T2	SI DIODE		
	D 773	1SS133-T2	SI DIODE		
	D 774	1SS133-T2	SI DIODE		
	D 791	1SS133-T2	SI DIODE		
	D 792	1SS133-T2	SI DIODE		
	D1701	1SS133-T2	SI DIODE		
	D1771	1SS133-T2	SI DIODE		
	D1772	1SS133-T2	SI DIODE		
	D1791	1SS133-T2	SI DIODE		
	D1801	1SS133-T2	SI DIODE		
	D1802	1SS133-T2	SI DIODE		
	D1871	1SS133-T2	SI DIODE		
	D1872	1SS133-T2	SI DIODE		
	D1873	1SS133-T2	SI DIODE		
	D1874	1SS133-T2	SI DIODE		
	D1891	1SS133-T2	SI DIODE		
	D1892	1SS133-T2	SI DIODE		
	L 791	QQLZ003-1R0	INDUCTOR		
	L 792	QQLZ003-1R0	INDUCTOR		
	L1761	QQLZ005-R45	INDUCTOR		
	L1861	QQLZ005-R45	INDUCTOR		
	L1862	QQLZ005-R45	INDUCTOR		
	Q 701	2SC2240-BL/AB/T	TRANSISTOR		
	Q 702	2SC2240-BL/AB/T	TRANSISTOR		
	Q 703	2SC2240-BL/AB/T	TRANSISTOR		
	Q 704	2SC2240-BL/AB/T	TRANSISTOR		
	Q 705	KTA1268/GL/-T	TRANSISTOR		
	Q 706	KTA1268/GL/-T	TRANSISTOR		
	Q 707	KTA1268/GL/-T	TRANSISTOR		
	Q 708	KTA1268/GL/-T	TRANSISTOR		
	Q 709	KTA1268/GL/-T	TRANSISTOR		
	Q 710	KTA1268/GL/-T	TRANSISTOR		
	Q 711	KTC3200/GL/-T	TRANSISTOR		

■ Electrical parts list (Power board)

Block No. 03

△	Item	Parts number	Parts name	Remarks	Area	△	Item	Parts number	Parts name	Remarks	Area
	Q 712	KTC3200/GL/-T	TRANSISTOR				R 726	QRE141J-152Y	C RESISTOR	1.5K 5% 1/4W	
△	Q 761	2SD2560/OPY/-F6	TRANSISTOR				R 727	QRE141J-333Y	C RESISTOR	33K 5% 1/4W	
	Q 762	2SD2560/OPY/-F6	TRANSISTOR				R 728	QRE141J-333Y	C RESISTOR	33K 5% 1/4W	
△	Q 763	2SB1647/OPY/-F6	TRANSISTOR				R 729	QRE141J-391Y	C RESISTOR	390 5% 1/4W	
△	Q 764	2SB1647/OPY/-F6	TRANSISTOR				R 730	QRE141J-391Y	C RESISTOR	390 5% 1/4W	
	Q 771	KTC3200/GL/-T	TRANSISTOR				R 731	QRE141J-391Y	C RESISTOR	390 5% 1/4W	
	Q 772	KTC3200/GL/-T	TRANSISTOR				R 732	QRE141J-391Y	C RESISTOR	390 5% 1/4W	
	Q 773	KTA1268/GL/-T	TRANSISTOR				R 733	QRE141J-221Y	C RESISTOR	220 5% 1/4W	
	Q 774	KTA1268/GL/-T	TRANSISTOR				R 734	QRE141J-221Y	C RESISTOR	220 5% 1/4W	
	Q 781	2SD637/QR/	TRANSISTOR				R 761	QRJ146J-100X	UNF C RESISTOR	10 5% 1/4W	
	Q 782	2SD637/QR/	TRANSISTOR				R 762	QRJ146J-100X	UNF C RESISTOR	10 5% 1/4W	
	Q 791	KTA1268/GL/-T	TRANSISTOR				R 763	QRJ146J-100X	UNF C RESISTOR	10 5% 1/4W	
	Q 792	KTA1268/GL/-T	TRANSISTOR				R 764	QRJ146J-100X	UNF C RESISTOR	10 5% 1/4W	
	Q1701	2SC2240-BL/AB/T	TRANSISTOR				R 771	QRE141J-391Y	C RESISTOR	390 5% 1/4W	
	Q1702	2SC2240-BL/AB/T	TRANSISTOR				R 772	QRE141J-391Y	C RESISTOR	390 5% 1/4W	
	Q1703	KTA1268/GL/-T	TRANSISTOR				R 773	QRE141J-391Y	C RESISTOR	390 5% 1/4W	
	Q1731	2SD637/QR/	TRANSISTOR				R 774	QRE141J-391Y	C RESISTOR	390 5% 1/4W	
△	Q1751	2SD2390/OPY/-F6	TRANSISTOR				R 775	QRE141J-201Y	C RESISTOR	200 5% 1/4W	
△	Q1752	2SB1560/OPY/-F6	TRANSISTOR				R 776	QRE141J-201Y	C RESISTOR	200 5% 1/4W	
	Q1771	KTC3200/GL/-T	TRANSISTOR				R 777	QRE141J-201Y	C RESISTOR	200 5% 1/4W	
	Q1772	KTA1268/GL/-T	TRANSISTOR				R 778	QRE141J-201Y	C RESISTOR	200 5% 1/4W	
	Q1791	KTA1268/GL/-T	TRANSISTOR				R 779	QRZ0218-R22	EMIT RESISTOR	1/2W	
	Q1801	2SC2240-BL/AB/T	TRANSISTOR				R 780	QRZ0218-R22	EMIT RESISTOR	1/2W	
	Q1802	2SC2240-BL/AB/T	TRANSISTOR				R 781	QRE141J-391Y	C RESISTOR	390 5% 1/4W	
	Q1803	2SC2240-BL/AB/T	TRANSISTOR				R 782	QRE141J-391Y	C RESISTOR	390 5% 1/4W	
	Q1804	2SC2240-BL/AB/T	TRANSISTOR				R 783	QRE141J-621Y	C RESISTOR	620 5% 1/4W	
	Q1805	KTA1268/GL/-T	TRANSISTOR				R 784	QRE141J-621Y	C RESISTOR	620 5% 1/4W	
	Q1806	KTA1268/GL/-T	TRANSISTOR				R 787	QRE141J-473Y	C RESISTOR	47K 5% 1/4W	
	Q1831	2SD637/QR/	TRANSISTOR				R 788	QRE141J-473Y	C RESISTOR	47K 5% 1/4W	
	Q1832	2SD637/QR/	TRANSISTOR				R 789	QRE141J-471Y	C RESISTOR	470 5% 1/4W	
△	Q1851	2SD2390/OPY/-F6	TRANSISTOR				R 790	QRE141J-471Y	C RESISTOR	470 5% 1/4W	
△	Q1852	2SD2390/OPY/-F6	TRANSISTOR				R 791	QRJ125J-330	UNF C RESISTOR	33 5% 1/2W	
△	Q1853	2SB1560/OPY/-F6	TRANSISTOR				R 792	QRJ125J-330	UNF C RESISTOR	33 5% 1/2W	
△	Q1854	2SB1560/OPY/-F6	TRANSISTOR				R 793	QRL022J-100	UNF OMF RESISTOR	10 5% 1/2W	
	Q1871	KTC3200/GL/-T	TRANSISTOR				R 794	QRL022J-100	UNF OMF RESISTOR	10 5% 1/2W	
	Q1872	KTC3200/GL/-T	TRANSISTOR				R 795	QRE141J-102Y	C RESISTOR	1.0K 5% 1/4W	
	Q1873	KTA1268/GL/-T	TRANSISTOR				R 796	QRE141J-102Y	C RESISTOR	1.0K 5% 1/4W	
	Q1874	KTA1268/GL/-T	TRANSISTOR				R 797	QRE141J-153Y	C RESISTOR	15K 5% 1/4W	
	Q1891	KTA1268/GL/-T	TRANSISTOR				R 798	QRE141J-153Y	C RESISTOR	15K 5% 1/4W	
	Q1892	KTA1268/GL/-T	TRANSISTOR				R1701	QRE141J-222Y	C RESISTOR	2.2K 5% 1/4W	
	R 701	QRE141J-222Y	C RESISTOR	2.2K 5% 1/4W			R1702	QRE141J-683Y	C RESISTOR	68K 5% 1/4W	
	R 702	QRE141J-222Y	C RESISTOR	2.2K 5% 1/4W			R1703	QRE141J-202Y	C RESISTOR	2.0K 5% 1/4W	
	R 703	QRE141J-104Y	C RESISTOR	100K 5% 1/4W			R1705	QRE141J-123Y	C RESISTOR	12K 5% 1/4W	
	R 704	QRE141J-104Y	C RESISTOR	100K 5% 1/4W			R1711	QRE141J-331Y	C RESISTOR	330 5% 1/4W	
	R 705	QRE141J-202Y	C RESISTOR	2.0K 5% 1/4W			R1712	QRE141J-563Y	C RESISTOR	56K 5% 1/4W	
	R 706	QRE141J-202Y	C RESISTOR	2.0K 5% 1/4W			R1721	QRJ146J-221X	UNF C RESISTOR	220 5% 1/4W	
	R 707	QRE141J-202Y	C RESISTOR	2.0K 5% 1/4W			R1722	QRE141J-332Y	C RESISTOR	3.3K 5% 1/4W	
	R 708	QRE141J-202Y	C RESISTOR	2.0K 5% 1/4W			R1723	QRE141J-332Y	C RESISTOR	3.3K 5% 1/4W	
	R 709	QRE141J-912Y	C RESISTOR	9.1K 5% 1/4W			R1724	QRE141J-332Y	C RESISTOR	3.3K 5% 1/4W	
	R 710	QRE141J-912Y	C RESISTOR	9.1K 5% 1/4W			R1725	QRE141J-332Y	C RESISTOR	3.3K 5% 1/4W	
	R 711	QRE141J-621Y	C RESISTOR	620 5% 1/4W			R1731	QRE141J-102Y	C RESISTOR	1.0K 5% 1/4W	
	R 712	QRE141J-621Y	C RESISTOR	620 5% 1/4W			R1732	QRE141J-391Y	C RESISTOR	390 5% 1/4W	
	R 715	QRE141J-104Y	C RESISTOR	100K 5% 1/4W			R1741	QRJ146J-221X	UNF C RESISTOR	220 5% 1/4W	
	R 716	QRE141J-104Y	C RESISTOR	100K 5% 1/4W			R1751	QRJ146J-100X	UNF C RESISTOR	10 5% 1/4W	
	R 717	QRJ146J-562X	UNF C RESISTOR	5.6K 5% 1/4W			R1752	QRJ146J-100X	UNF C RESISTOR	10 5% 1/4W	
	R 718	QRJ146J-562X	UNF C RESISTOR	5.6K 5% 1/4W			R1753	QRZ0218-R22	EMIT RESISTOR	1/2W	
	R 719	QRK126J-103X	UNF C RESISTOR	10K 5% 1/2W			R1761	QRJ125J-330	UNF C RESISTOR	33 5% 1/2W	
	R 720	QRK126J-103X	UNF C RESISTOR	10K 5% 1/2W			R1762	QRL022J-100	UNF OMF RESISTOR	10 5% 1/2W	
	R 721	QRJ146J-151X	UNF C RESISTOR	150 5% 1/4W			R1771	QRE141J-391Y	C RESISTOR	390 5% 1/4W	
	R 722	QRJ146J-151X	UNF C RESISTOR	150 5% 1/4W			R1772	QRE141J-391Y	C RESISTOR	390 5% 1/4W	
	R 723	QRE141J-391Y	C RESISTOR	390 5% 1/4W			R1773	QRE141J-201Y	C RESISTOR	200 5% 1/4W	
	R 724	QRE141J-391Y	C RESISTOR	390 5% 1/4W			R1774	QRE141J-201Y	C RESISTOR	200 5% 1/4W	
	R 725	QRE141J-152Y	C RESISTOR	1.5K 5% 1/4W			R1791	QRE141J-102Y	C RESISTOR	1.0K 5% 1/4W	

■ Electrical parts list (Power board)

Block No. 03

△	Item	Parts number	Parts name	Remarks	Area
	R1793	QRE141J-183Y	C RESISTOR	18K 5% 1/4W	
	R1795	QRE141J-473Y	C RESISTOR	47K 5% 1/4W	
	R1801	QRE141J-222Y	C RESISTOR	2.2K 5% 1/4W	
	R1802	QRE141J-222Y	C RESISTOR	2.2K 5% 1/4W	
	R1803	QRE141J-683Y	C RESISTOR	68K 5% 1/4W	
	R1804	QRE141J-683Y	C RESISTOR	68K 5% 1/4W	
	R1805	QRE141J-202Y	C RESISTOR	2.0K 5% 1/4W	
	R1806	QRE141J-202Y	C RESISTOR	2.0K 5% 1/4W	
	R1809	QRE141J-123Y	C RESISTOR	12K 5% 1/4W	
	R1810	QRE141J-123Y	C RESISTOR	12K 5% 1/4W	
	R1811	QRE141J-331Y	C RESISTOR	330 5% 1/4W	
	R1812	QRE141J-331Y	C RESISTOR	330 5% 1/4W	
	R1813	QRE141J-563Y	C RESISTOR	56K 5% 1/4W	
	R1814	QRE141J-563Y	C RESISTOR	56K 5% 1/4W	
	R1821	QRJ146J-221X	UNF C RESISTOR	220 5% 1/4W	
	R1822	QRJ146J-221X	UNF C RESISTOR	220 5% 1/4W	
	R1823	QRE141J-332Y	C RESISTOR	3.3K 5% 1/4W	
	R1824	QRE141J-332Y	C RESISTOR	3.3K 5% 1/4W	
	R1825	QRE141J-332Y	C RESISTOR	3.3K 5% 1/4W	
	R1826	QRE141J-332Y	C RESISTOR	3.3K 5% 1/4W	
	R1827	QRE141J-332Y	C RESISTOR	3.3K 5% 1/4W	
	R1828	QRE141J-332Y	C RESISTOR	3.3K 5% 1/4W	
	R1829	QRE141J-332Y	C RESISTOR	3.3K 5% 1/4W	
	R1830	QRE141J-332Y	C RESISTOR	3.3K 5% 1/4W	
	R1831	QRE141J-102Y	C RESISTOR	1.0K 5% 1/4W	
	R1832	QRE141J-102Y	C RESISTOR	1.0K 5% 1/4W	
	R1833	QRE141J-391Y	C RESISTOR	390 5% 1/4W	
	R1834	QRE141J-391Y	C RESISTOR	390 5% 1/4W	
	R1841	QRJ146J-221X	UNF C RESISTOR	220 5% 1/4W	
	R1842	QRJ146J-221X	UNF C RESISTOR	220 5% 1/4W	
	R1851	QRJ146J-100X	UNF C RESISTOR	10 5% 1/4W	
	R1852	QRJ146J-100X	UNF C RESISTOR	10 5% 1/4W	
	R1853	QRJ146J-100X	UNF C RESISTOR	10 5% 1/4W	
	R1854	QRJ146J-100X	UNF C RESISTOR	10 5% 1/4W	
	R1855	QRZ0218-R22	EMIT RESISTOR	1/2W	
	R1856	QRZ0218-R22	EMIT RESISTOR	1/2W	
	R1861	QRJ125J-330	UNF C RESISTOR	33 5% 1/2W	
	R1862	QRJ125J-330	UNF C RESISTOR	33 5% 1/2W	
	R1863	QRL022J-100	UNF OMF RESISTOR	10 5% 1/2W	
	R1864	QRL022J-100	UNF OMF RESISTOR	10 5% 1/2W	
	R1871	QRE141J-391Y	C RESISTOR	390 5% 1/4W	
	R1872	QRE141J-391Y	C RESISTOR	390 5% 1/4W	
	R1873	QRE141J-391Y	C RESISTOR	390 5% 1/4W	
	R1874	QRE141J-391Y	C RESISTOR	390 5% 1/4W	
	R1875	QRE141J-201Y	C RESISTOR	200 5% 1/4W	
	R1876	QRE141J-201Y	C RESISTOR	200 5% 1/4W	
	R1877	QRE141J-201Y	C RESISTOR	200 5% 1/4W	
	R1878	QRE141J-201Y	C RESISTOR	200 5% 1/4W	
	R1891	QRE141J-102Y	C RESISTOR	1.0K 5% 1/4W	
	R1892	QRE141J-102Y	C RESISTOR	1.0K 5% 1/4W	
	R1893	QRE141J-183Y	C RESISTOR	18K 5% 1/4W	
	R1894	QRE141J-183Y	C RESISTOR	18K 5% 1/4W	
	R1895	QRE141J-473Y	C RESISTOR	47K 5% 1/4W	
	R1896	QRE141J-473Y	C RESISTOR	47K 5% 1/4W	
	TH731	QAD0012-202	THERMISTOR		
	TH783	QAD0012-202	THERMISTOR		
	TH784	QAD0012-202	THERMISTOR		
	TH831	QAD0012-202	THERMISTOR		
	TH832	QAD0012-202	THERMISTOR		
	VR787	QVP0008-501Z	SEMI V RESISTOR		
	VR788	QVP0008-501Z	SEMI V RESISTOR		

■ Electrical parts list (Input board)

Block No. 04

▲	Item	Parts number	Parts name	Remarks	Area	▲	Item	Parts number	Parts name	Remarks	Area
C 201		QETN1HM-475Z	E CAPACITOR	4.7MF 20% 50V		C 308		QFLC1HJ-682Z	M CAPACITOR	6800PF 5% 50V	
C 202		QETN1HM-475Z	E CAPACITOR	4.7MF 20% 50V		C 309		NCS31HJ-101X	C CAPACITOR		
C 203		QETN0JM-477Z	E CAPACITOR	470MF 20% 6.3V		C 310		NCS31HJ-101X	C CAPACITOR		
C 204		QETN1HM-475Z	E CAPACITOR	4.7MF 20% 50V		C 311		QETN1HM-475Z	E CAPACITOR	4.7MF 20% 50V	
C 205		QETN0JM-477Z	E CAPACITOR	470MF 20% 6.3V		C 312		QETN1HM-475Z	E CAPACITOR	4.7MF 20% 50V	
C 206		QETN1HM-475Z	E CAPACITOR	4.7MF 20% 50V		C 313		QETN1AM-107Z	E CAPACITOR	100MF 20% 10V	
C 207		QETN0JM-477Z	E CAPACITOR	470MF 20% 6.3V		C 314		QETN1AM-107Z	E CAPACITOR	100MF 20% 10V	
C 208		QETN1CM-476Z	E CAPACITOR	47MF 20% 16V		C 315		QETN1CM-476Z	E CAPACITOR	47MF 20% 16V	
C 209		QCF31HZ-103Z	C CAPACITOR	.010MF +80:-20%		C 316		QETN1CM-476Z	E CAPACITOR	47MF 20% 16V	
C 210		QETN1HM-475Z	E CAPACITOR	4.7MF 20% 50V		C 321		NCB31HK-221X	C CAPACITOR		
C 211		QETN1HM-475Z	E CAPACITOR	4.7MF 20% 50V		C 322		NCB31HK-221X	C CAPACITOR		
C 212		QETN1CM-476Z	E CAPACITOR	47MF 20% 16V		C 333		NCB31HK-391X	C CAPACITOR		
C 213		QCF31HZ-103Z	C CAPACITOR	.010MF +80:-20%		C 334		NCB31HK-391X	C CAPACITOR		
C 214		QETN1HM-475Z	E CAPACITOR	4.7MF 20% 50V		C 335		QETN1EM-226Z	E CAPACITOR	22MF 20% 25V	
C 215		QETN1HM-475Z	E CAPACITOR	4.7MF 20% 50V		C 336		QETN1EM-226Z	E CAPACITOR	22MF 20% 25V	
C 216		QDX31EM-473Z	C CAPACITOR			C 339		NCB31HK-561X	C CAPACITOR		
C 217		QETN1AM-477Z	E CAPACITOR	470MF 20% 10V		C 341		QETN1HM-106Z	E CAPACITOR	10MF 20% 50V	
C 218		QEZ0202-155Z	ML C CAPACITOR	1.5MF		C 342		QETN1HM-106Z	E CAPACITOR	10MF 20% 50V	
C 219		QDC31HJ-150Z	C CAPACITOR			C 343		QETN1HM-106Z	E CAPACITOR	10MF 20% 50V	
C 220		QDC31HJ-100Z	C CAPACITOR			C 344		QETN1HM-106Z	E CAPACITOR	10MF 20% 50V	
C 221		QDC31HJ-470Z	C CAPACITOR			C 361		QETN1HM-475Z	E CAPACITOR	4.7MF 20% 50V	
C 222		QDC31HJ-270Z	C CAPACITOR			C 362		QETN1HM-475Z	E CAPACITOR	4.7MF 20% 50V	
C 223		NCB31HK-102X	C CAPACITOR			C 363		QETN1HM-475Z	E CAPACITOR	4.7MF 20% 50V	
C 224		NCB31HK-271X	C CAPACITOR			C 364		QETN1HM-475Z	E CAPACITOR	4.7MF 20% 50V	
C 225		NCS31HJ-121X	C CAPACITOR			C 385		QETN1EM-226Z	E CAPACITOR	22MF 20% 25V	
C 226		NCS31HJ-470X	C CAPACITOR			C 386		QETN1EM-226Z	E CAPACITOR	22MF 20% 25V	
C 231		QETN1HM-475Z	E CAPACITOR	4.7MF 20% 50V		C 389		NCB31HK-561X	C CAPACITOR		
C 241		QDX31EM-473Z	C CAPACITOR			C 391		QETN1HM-106Z	E CAPACITOR	10MF 20% 50V	
C 242		QETN1HM-475Z	E CAPACITOR	4.7MF 20% 50V		C 392		QETN1HM-106Z	E CAPACITOR	10MF 20% 50V	
C 244		QDX31EM-473Z	C CAPACITOR			C 393		NCB31HK-122X	C CAPACITOR		
C 245		QETN1HM-475Z	E CAPACITOR	4.7MF 20% 50V		C 394		NCB31HK-122X	C CAPACITOR		
C 246		QDX31EM-473Z	C CAPACITOR			C 395		NCS31HJ-121X	C CAPACITOR		
C 247		QETN0JM-477Z	E CAPACITOR	470MF 20% 6.3V		C 396		NCS31HJ-121X	C CAPACITOR		
C 249		QDX31EM-473Z	C CAPACITOR			C 397		QETN1HM-106Z	E CAPACITOR	10MF 20% 50V	
C 250		QETN1HM-475Z	E CAPACITOR	4.7MF 20% 50V		C 398		QETN1HM-106Z	E CAPACITOR	10MF 20% 50V	
C 251		QDX31EM-473Z	C CAPACITOR			CN200		QGB2510K1-11	CONNECTOR		
C 252		QETN0JM-477Z	E CAPACITOR	470MF 20% 6.3V		CN204		QGB1214K1-08S	CONNECTOR		
C 253		NCS31HJ-100X	C CAPACITOR			CN205		QGB1214J1-08S	CONNECTOR		
C 254		QDX31EM-473Z	C CAPACITOR			CN206		QGA2501F1-02	CONNECTOR		
C 255		QETN1HM-475Z	E CAPACITOR	4.7MF 20% 50V		CN240		QGB2510K1-12	CONNECTOR		
C 256		QCF31HZ-103Z	C CAPACITOR	.010MF +80:-20%		CN242		QGB1214K1-10S	CONNECTOR		
C 257		QETN1CM-476Z	E CAPACITOR	47MF 20% 16V		CN243		QGB1214J1-10S	CONNECTOR		
C 258		QCF31HZ-103Z	C CAPACITOR	.010MF +80:-20%		CN244		QGA2501F1-04	CONNECTOR		
C 259		QETN1CM-476Z	E CAPACITOR	47MF 20% 16V		CN311		QGB2510K1-14	CONNECTOR		
C 260		QDX31EM-473Z	C CAPACITOR			CN313		QGB2510K1-13	CONNECTOR		
C 261		QETN1HM-475Z	E CAPACITOR	4.7MF 20% 50V		CN351		QGB1214K1-16S	CONNECTOR		
C 268		NCS31HJ-470X	C CAPACITOR			CN361		QGB1214J1-16S	CONNECTOR		
C 269		NCS31HJ-470X	C CAPACITOR			CN371		QGB1214K1-14S	CONNECTOR		
C 270		NCS31HJ-101X	C CAPACITOR			CN381		QGB1214J1-14S	CONNECTOR		
C 271		NCS31HJ-101X	C CAPACITOR			CN416		QGA2501F1-06	CONNECTOR		
C 272		QDX31EM-473Z	C CAPACITOR			CN480		QJK017-031301	SIN CR C-B WIR		
C 273		QDX31EM-473Z	C CAPACITOR			CN501		QGB1214J1-12S	CONNECTOR		
C 274		QETN0JM-477Z	E CAPACITOR	470MF 20% 6.3V		CN731		QJP001-032301	SHI CR C-B WIRE		
C 275		NCS31HJ-470X	C CAPACITOR			CN732		WJP0026-001A	CONNECTOR		
C 276		NCS31HJ-470X	C CAPACITOR			C1201		QETN1EM-226Z	E CAPACITOR	22MF 20% 25V	
C 277		QETN1HM-475Z	E CAPACITOR	4.7MF 20% 50V		C1202		QETN1EM-226Z	E CAPACITOR	22MF 20% 25V	
C 301		QETN1HM-475Z	E CAPACITOR	4.7MF 20% 50V		C1209		NCB31HK-561X	C CAPACITOR		
C 302		QETN1HM-475Z	E CAPACITOR	4.7MF 20% 50V		C1211		QETN1EM-226Z	E CAPACITOR	22MF 20% 25V	
C 303		NCS31HJ-101X	C CAPACITOR			C1212		QETN1EM-226Z	E CAPACITOR	22MF 20% 25V	
C 304		NCS31HJ-101X	C CAPACITOR			C1219		NCB31HK-561X	C CAPACITOR		
C 305		QFLC1HJ-182Z	M CAPACITOR	1800PF 5% 50V		C1221		QETN1HM-106Z	E CAPACITOR	10MF 20% 50V	
C 306		QFLC1HJ-182Z	M CAPACITOR	1800PF 5% 50V		C1222		QETN1HM-106Z	E CAPACITOR	10MF 20% 50V	
C 307		QFLC1HJ-682Z	M CAPACITOR	6800PF 5% 50V		C1223		QETN1HM-106Z	E CAPACITOR	10MF 20% 50V	

■ Electrical parts list (Input board)

Block No. 04

△	Item	Parts number	Parts name	Remarks	Area	△	Item	Parts number	Parts name	Remarks	Area
	C1224	QETN1HM-106Z	E CAPACITOR	10MF 20% 50V			C1363	QETN1HM-475Z	E CAPACITOR	4.7MF 20% 50V	
	C1225	QETN1EM-476Z	E CAPACITOR	47MF 20% 25V			C1364	QETN1HM-475Z	E CAPACITOR	4.7MF 20% 50V	
	C1226	QETN1EM-476Z	E CAPACITOR	47MF 20% 25V			C1365	QETN1HM-475Z	E CAPACITOR	4.7MF 20% 50V	
	C1227	QETN1HM-475Z	E CAPACITOR	4.7MF 20% 50V			C1366	QETN1HM-475Z	E CAPACITOR	4.7MF 20% 50V	
	C1228	QETN1HM-475Z	E CAPACITOR	4.7MF 20% 50V			C1370	NCB31HK-221X	C CAPACITOR		
	C1229	QETN1HM-475Z	E CAPACITOR	4.7MF 20% 50V			C1371	NCB31HK-221X	C CAPACITOR		
	C1230	QETN1HM-475Z	E CAPACITOR	4.7MF 20% 50V			C1372	NCB31HK-221X	C CAPACITOR		
	C1231	NCB31HK-221X	C CAPACITOR				C1375	QCF31HZ-103Z	C CAPACITOR	.010MF +80:-20%	
	C1232	QETN1HM-226Z	E CAPACITOR	22MF 20% 50V			C1376	QETN1EM-476Z	E CAPACITOR	47MF 20% 25V	
	C1233	QETN1HM-106Z	E CAPACITOR	10MF 20% 50V			C1377	QCF31HZ-103Z	C CAPACITOR	.010MF +80:-20%	
	C1241	QETN1HM-475Z	E CAPACITOR	4.7MF 20% 50V			C1378	QETN1EM-476Z	E CAPACITOR	47MF 20% 25V	
	C1242	QETN1HM-475Z	E CAPACITOR	4.7MF 20% 50V			C1380	QETN1EM-476Z	E CAPACITOR	47MF 20% 25V	
	C1243	QETN1HM-475Z	E CAPACITOR	4.7MF 20% 50V			C1381	NCS31HJ-470X	C CAPACITOR		
	C1244	QETN1HM-475Z	E CAPACITOR	4.7MF 20% 50V			C1382	NCS31HJ-470X	C CAPACITOR		
	C1245	QETN1HM-226Z	E CAPACITOR	22MF 20% 50V			C1383	NCS31HJ-470X	C CAPACITOR		
	C1261	NCB31HK-221X	C CAPACITOR				C1384	QETN1EM-476Z	E CAPACITOR	47MF 20% 25V	
	C1262	NCB31HK-221X	C CAPACITOR				C1385	QETN1HM-475Z	E CAPACITOR	4.7MF 20% 50V	
	C1281	QETN1AM-107Z	E CAPACITOR	100MF 20% 10V			C1386	QETN1HM-475Z	E CAPACITOR	4.7MF 20% 50V	
	C1282	QETN1AM-477Z	E CAPACITOR	470MF 20% 10V			C1387	NCS31HJ-470X	C CAPACITOR		
	C1283	QETN1EM-476Z	E CAPACITOR	47MF 20% 25V			C1388	NCS31HJ-470X	C CAPACITOR		
	C1284	QETN1AM-107Z	E CAPACITOR	100MF 20% 10V			C1389	NCS31HJ-470X	C CAPACITOR		
	C1285	QETN1EM-476Z	E CAPACITOR	47MF 20% 25V			C1390	QETN1EM-476Z	E CAPACITOR	47MF 20% 25V	
	C1286	QETN1AM-107Z	E CAPACITOR	100MF 20% 10V			C1391	QETN1HM-475Z	E CAPACITOR	4.7MF 20% 50V	
	C1301	QETN1EM-476Z	E CAPACITOR	47MF 20% 25V			C1392	QETN1HM-475Z	E CAPACITOR	4.7MF 20% 50V	
	C1302	QETN1EM-476Z	E CAPACITOR	47MF 20% 25V			C1393	NCS31HJ-101X	C CAPACITOR		
	C1303	NCB31HK-221X	C CAPACITOR				C1394	NCS31HJ-101X	C CAPACITOR		
	C1305	QETN1EM-476Z	E CAPACITOR	47MF 20% 25V			C1395	NCS31HJ-101X	C CAPACITOR		
	C1306	QETN1EM-476Z	E CAPACITOR	47MF 20% 25V			C1396	QETN0JM-477Z	E CAPACITOR	470MF 20% 6.3V	
	C1307	QETN1CM-476Z	E CAPACITOR	47MF 20% 16V			C1397	QETN1AM-107Z	E CAPACITOR	100MF 20% 10V	
	C1311	QETN1HM-475Z	E CAPACITOR	4.7MF 20% 50V			C1398	QETN1AM-107Z	E CAPACITOR	100MF 20% 10V	
	C1312	QETN1HM-475Z	E CAPACITOR	4.7MF 20% 50V			D 200	1SS133-T1	SI DIODE		
	C1313	QETN1HM-475Z	E CAPACITOR	4.7MF 20% 50V			D 201	1SS133-T1	SI DIODE		
	C1314	QETN1HM-475Z	E CAPACITOR	4.7MF 20% 50V			D 240	1SS133-T1	SI DIODE		
	C1315	QER61HM-224Z	E CAPACITOR	.22MF 20% 50V			D 241	1SS133-T1	SI DIODE		
	C1316	QER61HM-224Z	E CAPACITOR	.22MF 20% 50V			D1370	MA3062/H/-X	Z DIODE		
	C1319	NCB31HK-221X	C CAPACITOR				D1391	1SS133-T1	SI DIODE		
	C1321	QETN1HM-475Z	E CAPACITOR	4.7MF 20% 50V			D1392	1SS133-T1	SI DIODE		
	C1322	QETN1HM-475Z	E CAPACITOR	4.7MF 20% 50V			FW481	QUM134-10DGZ4	PARA RIBON WIRE		
	C1323	QETN1HM-475Z	E CAPACITOR	4.7MF 20% 50V			HL203	VYH7653-005	IC HOLDER		
	C1324	QETN1HM-475Z	E CAPACITOR	4.7MF 20% 50V			IC201	BA7625	IC		
	C1325	QER61HM-224Z	E CAPACITOR	.22MF 20% 50V			IC202	NJM2285V-W	IC		
	C1326	QER61HM-224Z	E CAPACITOR	.22MF 20% 50V			IC203	MB90088PF-131	IC		
	C1329	NCB31HK-221X	C CAPACITOR				IC241	BA7626	IC		
	C1331	QETN1HM-475Z	E CAPACITOR	4.7MF 20% 50V			IC242	BA7625	IC		
	C1332	QETN1HM-475Z	E CAPACITOR	4.7MF 20% 50V			IC301	NJM4580D-D	IC		
	C1333	QETN1HM-475Z	E CAPACITOR	4.7MF 20% 50V			IC302	TC9164AF-X	IC		
	C1334	QETN1HM-475Z	E CAPACITOR	4.7MF 20% 50V			IC303	BA15218F-XE	IC		
	C1335	QETN1HM-106Z	E CAPACITOR	10MF 20% 50V			IC304	BA15218F-XE	IC		
	C1336	QETN1HM-106Z	E CAPACITOR	10MF 20% 50V			IC371	TC9163AF-X	IC		
	C1337	QETN1HM-106Z	E CAPACITOR	10MF 20% 50V			IC372	BA15218F-XE	IC		
	C1338	QETN1HM-106Z	E CAPACITOR	10MF 20% 50V			IC380	TC9162AN	IC		
	C1339	NCB31HK-221X	C CAPACITOR				IC381	TC9459F-X	IC		
	C1341	QETN1HM-475Z	E CAPACITOR	4.7MF 20% 50V			IC382	TC9459F-X	IC		
	C1342	QETN1HM-475Z	E CAPACITOR	4.7MF 20% 50V			IC383	TC9459F-X	IC		
	C1343	QETN1EM-476Z	E CAPACITOR	47MF 20% 25V			IC384	BA15218F-XE	IC		
	C1344	QETN1EM-476Z	E CAPACITOR	47MF 20% 25V			IC385	BA15218F-XE	IC		
	C1345	NCB31HK-391X	C CAPACITOR				IC386	BA15218F-XE	IC		
	C1351	NCB31HK-102X	C CAPACITOR				IC387	NJM2406F-X	IC		
	C1352	QETN1AM-107Z	E CAPACITOR	100MF 20% 10V			IC388	TC74HC4053AF-X	IC		
	C1353	QFLC1HJ-104Z	M CAPACITOR	.10MF 5% 50V			IC389	TC74HC4053AF-X	IC		
	C1354	QETN1AM-107Z	E CAPACITOR	100MF 20% 10V			IC390	MAX4018ESD-X	IC		
	C1361	NCB31HK-391X	C CAPACITOR				IC391	TC9164AF-X	IC		
	C1362	NCB31HK-391X	C CAPACITOR				IC392	TC9163AF-X	IC		

■ Electrical parts list (Input board)

Block No. 04

△	Item	Parts number	Parts name	Remarks	Area	△	Item	Parts number	Parts name	Remarks	Area
	IC393	TC9459F-X	IC				R 204	NRSA63J-750X	MG RESISTOR		
	IC394	BA15218F-XE	IC				R 205	NRSA63J-750X	MG RESISTOR		
	IC395	BA15218F-XE	IC				R 206	NRSA63J-750X	MG RESISTOR		
	J 201	QNN0078-001	PIN JACK				R 207	NRSA63J-331X	MG RESISTOR		
	J 202	QNN0011-001	PIN JACK				R 208	NRSA63J-331X	MG RESISTOR		
	J 203	QNN0011-001	PIN JACK				R 209	NRSA63J-473X	MG RESISTOR		
	J 241	QND0002-001	S-CONNECTOR				R 210	NRSA63J-331X	MG RESISTOR		
	J 242	QND0028-001	DIN CONNECTOR				R 211	NRSA63J-473X	MG RESISTOR		
	J 243	QND0088-001	S JACK				R 212	NRSA63J-331X	MG RESISTOR		
	J 301	QNN0056-001	PIN JACK				R 213	NRSA63J-473X	MG RESISTOR		
	J 302	QNN0056-001	PIN JACK				R 214	NRSA63J-151X	MG RESISTOR		
	J 303	QNN0058-001	PIN JACK				R 215	NRSA63J-151X	MG RESISTOR		
	J 371	QNN0056-001	PIN JACK				R 216	NRSA63J-301X	MG RESISTOR		
	J 372	QNN0056-001	PIN JACK				R 217	NRSA63J-103X	MG RESISTOR		
	J 373	QNN0058-001	PIN JACK				R 218	NRSA63J-331X	MG RESISTOR		
	J1340	QNN0060-001	PIN JACK				R 219	NRSA63J-101X	MG RESISTOR		
	J1360	QNN0390-001	PIN JACK				R 220	NRSA63J-151X	MG RESISTOR		
	J1370	QNS0083-001	3.5 JACK				R 221	NRSA63J-151X	MG RESISTOR		
	J1371	QNS0077-001	3.5 JACK				R 222	NRSA63J-561X	MG RESISTOR		
	J1372	QNS0083-001	3.5 JACK				R 223	NRSA63J-561X	MG RESISTOR		
	J1380	QNN0391-001	PIN JACK				R 224	NRSA63J-561X	MG RESISTOR		
	J1390	QNS0001-001	3.5 JACK(JES)			△	R 225	QRJ146J-2R2X	UNF C RESISTOR	2.2 5% 1/4W	
	L 200	NQL085J-220X	INDUCTOR				R 231	NRSA63J-222X	MG RESISTOR		
	Q 200	KTA1267/YG/-T	TRANSISTOR				R 232	NRSA63J-470X	MG RESISTOR		
	Q 201	KTA1267/YG/-T	TRANSISTOR				R 240	NRSA63J-750X	MG RESISTOR		
	Q 202	KRC110M-T	TRANSISTOR				R 241	NRSA63J-750X	MG RESISTOR		
	Q 203	KRC107M-T	D TRANSISTOR				R 242	NRSA63J-750X	MG RESISTOR		
	Q 204	KTA1267/YG/-T	TRANSISTOR				R 243	NRSA63J-750X	MG RESISTOR		
	Q 205	KTA1267/YG/-T	TRANSISTOR				R 244	NRSA63J-750X	MG RESISTOR		
	Q 206	KTA1267/YG/-T	TRANSISTOR				R 245	NRSA63J-750X	MG RESISTOR		
	Q 207	KTA1267/YG/-T	TRANSISTOR				R 246	NRSA63J-750X	MG RESISTOR		
	Q 208	DTC123YSA-T	D TRANSISTOR				R 247	NRSA63J-750X	MG RESISTOR		
	Q 240	KTA1267/YG/-T	TRANSISTOR				R 248	NRSA63J-151X	MG RESISTOR		
	Q 241	KTA1267/YG/-T	TRANSISTOR				R 249	NRSA63J-151X	MG RESISTOR		
	Q 242	KTA1267/YG/-T	TRANSISTOR				R 250	NRSA63J-151X	MG RESISTOR		
	Q 243	KTA1267/YG/-T	TRANSISTOR				R 251	NRSA63J-151X	MG RESISTOR		
	Q 244	KRC110M-T	TRANSISTOR				R 253	NRSA63J-153X	MG RESISTOR		
	Q 245	KRC110M-T	TRANSISTOR				R 254	NRSA63J-153X	MG RESISTOR		
	Q 246	KRC107M-T	D TRANSISTOR				R 255	NRSA63J-153X	MG RESISTOR		
	Q 247	KRC107M-T	D TRANSISTOR				R 266	NRSA63J-750X	MG RESISTOR		
	Q1231	KRA104M-T	D TRANSISTOR				R 267	NRSA63J-473X	MG RESISTOR		
	Q1233	2SC3576-JVC-T	TRANSISTOR				R 268	NRSA63J-750X	MG RESISTOR		
	Q1234	2SC3576-JVC-T	TRANSISTOR				R 269	NRSA63J-473X	MG RESISTOR		
	Q1245	KRA104M-T	D TRANSISTOR			△	R 271	QRJ146J-3R3X	UNF C RESISTOR	3.3 5% 1/4W	
	Q1247	2SC3576-JVC-T	TRANSISTOR				R 272	NRSA63J-750X	MG RESISTOR		
	Q1248	2SC3576-JVC-T	TRANSISTOR				R 273	NRSA63J-473X	MG RESISTOR		
	Q1249	2SC3576-JVC-T	TRANSISTOR				R 274	NRSA63J-750X	MG RESISTOR		
	Q1250	2SC3576-JVC-T	TRANSISTOR				R 275	NRSA63J-750X	MG RESISTOR		
	Q1307	KRA104M-T	D TRANSISTOR				R 276	NRSA63J-750X	MG RESISTOR		
	Q1313	2SC3576-JVC-T	TRANSISTOR				R 280	NRSA63J-301X	MG RESISTOR		
	Q1314	2SC3576-JVC-T	TRANSISTOR				R 281	NRSA63J-301X	MG RESISTOR		
	Q1323	2SC3576-JVC-T	TRANSISTOR				R 282	NRSA63J-103X	MG RESISTOR		
	Q1333	2SC3576-JVC-T	TRANSISTOR				R 283	NRSA63J-103X	MG RESISTOR		
	Q1334	2SC3576-JVC-T	TRANSISTOR				R 284	NRSA63J-301X	MG RESISTOR		
	Q1341	2SC3576-JVC-T	TRANSISTOR				R 285	NRSA63J-301X	MG RESISTOR		
	Q1342	2SC3576-JVC-T	TRANSISTOR				R 301	NRSA63J-222X	MG RESISTOR		
	Q1343	KRA104M-T	D TRANSISTOR				R 302	NRSA63J-222X	MG RESISTOR		
	Q1391	KRA107M-T	D TRANSISTOR				R 303	NRSA63J-473X	MG RESISTOR		
	Q1392	KTA1273/Y/-T	TRANSISTOR				R 304	NRSA63J-473X	MG RESISTOR		
	R 200	NRSA63J-750X	MG RESISTOR				R 305	NRSA63J-621X	MG RESISTOR		
	R 201	NRSA63J-750X	MG RESISTOR				R 306	NRSA63J-621X	MG RESISTOR		
	R 202	NRSA63J-750X	MG RESISTOR				R 307	NRSA63J-393X	MG RESISTOR		
	R 203	NRSA63J-750X	MG RESISTOR				R 308	NRSA63J-393X	MG RESISTOR		

■ Electrical parts list (Input board)

Block No. 04

△	Item	Parts number	Parts name	Remarks	Area	△	Item	Parts number	Parts name	Remarks	Area
	R 309	NRSA63J-474X	MG RESISTOR				R1222	NRSA63J-104X	MG RESISTOR		
	R 310	NRSA63J-474X	MG RESISTOR				R1223	NRSA63J-104X	MG RESISTOR		
	R 311	NRSA63J-104X	MG RESISTOR				R1224	NRSA63J-104X	MG RESISTOR		
	R 312	NRSA63J-104X	MG RESISTOR				R1225	NRSA63J-104X	MG RESISTOR		
△	R 315	QRJ146J-331X	UNF C RESISTOR	330 5% 1/4W			R1226	NRSA63J-104X	MG RESISTOR		
△	R 316	QRJ146J-331X	UNF C RESISTOR	330 5% 1/4W		△	R1227	QRZ9005-680X	F RESISTOR	68 1/0W	
	R 323	NRSA63J-471X	MG RESISTOR			△	R1228	QRZ9005-680X	F RESISTOR	68 1/0W	
	R 324	NRSA63J-471X	MG RESISTOR				R1229	NRSA63J-104X	MG RESISTOR		
	R 325	NRSA63J-471X	MG RESISTOR				R1230	NRSA63J-104X	MG RESISTOR		
	R 326	NRSA63J-471X	MG RESISTOR				R1231	NRSA63J-102X	MG RESISTOR		
	R 327	NRSA63J-471X	MG RESISTOR				R1232	NRSA63J-474X	MG RESISTOR		
	R 328	NRSA63J-471X	MG RESISTOR				R1233	NRSA63J-102X	MG RESISTOR		
	R 329	NRSA63J-471X	MG RESISTOR				R1234	NRSA63J-102X	MG RESISTOR		
	R 330	NRSA63J-471X	MG RESISTOR				R1235	NRSA63J-103X	MG RESISTOR		
	R 331	NRSA63J-471X	MG RESISTOR				R1236	NRSA63J-103X	MG RESISTOR		
	R 332	NRSA63J-471X	MG RESISTOR				R1241	NRSA63J-104X	MG RESISTOR		
	R 333	NRSA63J-471X	MG RESISTOR				R1242	NRSA63J-104X	MG RESISTOR		
	R 334	NRSA63J-471X	MG RESISTOR				R1243	NRSA63J-104X	MG RESISTOR		
△	R 335	QRZ9005-680X	F RESISTOR	68 1/0W			R1244	NRSA63J-104X	MG RESISTOR		
△	R 336	QRZ9005-680X	F RESISTOR	68 1/0W			R1245	NRSA63J-102X	MG RESISTOR		
	R 341	NRSA63J-104X	MG RESISTOR				R1247	NRSA63J-102X	MG RESISTOR		
	R 342	NRSA63J-104X	MG RESISTOR				R1248	NRSA63J-102X	MG RESISTOR		
	R 343	NRSA63J-104X	MG RESISTOR				R1249	NRSA63J-103X	MG RESISTOR		
	R 344	NRSA63J-104X	MG RESISTOR				R1250	NRSA63J-103X	MG RESISTOR		
	R 345	NRSA63J-104X	MG RESISTOR				R1251	NRSA63J-103X	MG RESISTOR		
	R 346	NRSA63J-104X	MG RESISTOR				R1252	NRSA63J-103X	MG RESISTOR		
	R 361	NRSA63J-104X	MG RESISTOR				R1253	NRSA63J-102X	MG RESISTOR		
	R 362	NRSA63J-104X	MG RESISTOR				R1254	NRSA63J-102X	MG RESISTOR		
	R 363	NRSA63J-104X	MG RESISTOR				R1261	NRSA63J-471X	MG RESISTOR		
	R 364	NRSA63J-104X	MG RESISTOR				R1262	NRSA63J-471X	MG RESISTOR		
	R 365	NRSA63J-104X	MG RESISTOR				R1281	NRSA63J-472X	MG RESISTOR		
	R 366	NRSA63J-104X	MG RESISTOR				R1282	NRSA63J-472X	MG RESISTOR		
	R 371	NRSA63J-471X	MG RESISTOR				R1283	NRSA63J-102X	MG RESISTOR		
	R 372	NRSA63J-471X	MG RESISTOR				R1284	NRSA63J-112X	MG RESISTOR		
	R 373	NRSA63J-471X	MG RESISTOR				R1285	NRSA63J-472X	MG RESISTOR		
	R 374	NRSA63J-471X	MG RESISTOR				R1286	NRSA63J-472X	MG RESISTOR		
	R 375	NRSA63J-471X	MG RESISTOR				R1287	NRSA63J-102X	MG RESISTOR		
	R 376	NRSA63J-471X	MG RESISTOR				R1288	NRSA63J-112X	MG RESISTOR		
	R 377	NRSA63J-471X	MG RESISTOR				R1289	NRSA63J-472X	MG RESISTOR		
	R 378	NRSA63J-471X	MG RESISTOR				R1290	NRSA63J-472X	MG RESISTOR		
	R 379	NRSA63J-471X	MG RESISTOR				R1291	NRSA63J-102X	MG RESISTOR		
	R 380	NRSA63J-471X	MG RESISTOR				R1292	NRSA63J-112X	MG RESISTOR		
	R 381	NRSA63J-471X	MG RESISTOR				R1293	NRSA63J-162X	MG RESISTOR		
	R 382	NRSA63J-471X	MG RESISTOR				R1294	NRSA63J-472X	MG RESISTOR		
△	R 385	QRZ9005-680X	F RESISTOR	68 1/0W		△	R1301	QRZ9005-680X	F RESISTOR	68 1/0W	
△	R 386	QRZ9005-680X	F RESISTOR	68 1/0W		△	R1302	QRZ9005-680X	F RESISTOR	68 1/0W	
	R 387	NRSA63J-471X	MG RESISTOR				R1303	NRSA63J-122X	MG RESISTOR		
	R 388	NRSA63J-471X	MG RESISTOR				R1304	NRSA63J-122X	MG RESISTOR		
	R 389	NRSA63J-471X	MG RESISTOR			△	R1305	QRZ9005-680X	F RESISTOR	68 1/0W	
	R 390	NRSA63J-471X	MG RESISTOR			△	R1306	QRZ9005-680X	F RESISTOR	68 1/0W	
	R 391	NRSA63J-512X	MG RESISTOR				R1307	NRSA63J-102X	MG RESISTOR		
	R 392	NRSA63J-512X	MG RESISTOR				R1311	NRSA63J-104X	MG RESISTOR		
	R 393	NRSA63J-103X	MG RESISTOR				R1312	NRSA63J-104X	MG RESISTOR		
	R 394	NRSA63J-103X	MG RESISTOR				R1313	NRSA63J-102X	MG RESISTOR		
	R 395	NRSA63J-512X	MG RESISTOR				R1314	NRSA63J-103X	MG RESISTOR		
	R 396	NRSA63J-512X	MG RESISTOR				R1315	NRSA63J-103X	MG RESISTOR		
	R 397	NRSA63J-104X	MG RESISTOR				R1316	NRSA63J-102X	MG RESISTOR		
	R 398	NRSA63J-104X	MG RESISTOR				R1321	NRSA63J-104X	MG RESISTOR		
△	R1201	QRZ9005-680X	F RESISTOR	68 1/0W			R1322	NRSA63J-104X	MG RESISTOR		
△	R1202	QRZ9005-680X	F RESISTOR	68 1/0W			R1323	NRSA63J-102X	MG RESISTOR		
△	R1211	QRZ9005-680X	F RESISTOR	68 1/0W			R1324	NRSA63J-103X	MG RESISTOR		
△	R1212	QRZ9005-680X	F RESISTOR	68 1/0W			R1328	NRSA63J-0R0X	MG RESISTOR		
	R1221	NRSA63J-104X	MG RESISTOR				R1331	NRSA63J-104X	MG RESISTOR		

■ Electrical parts list (Input board)

Block No. 04

△	Item	Parts number	Parts name	Remarks	Area
	R1332	NRSA63J-104X	MG RESISTOR		
	R1333	NRSA63J-102X	MG RESISTOR		
	R1334	NRSA63J-103X	MG RESISTOR		
	R1335	NRSA63J-103X	MG RESISTOR		
	R1336	NRSA63J-102X	MG RESISTOR		
	R1337	NRSA63J-104X	MG RESISTOR		
	R1338	NRSA63J-104X	MG RESISTOR		
	R1339	NRSA63J-104X	MG RESISTOR		
	R1340	NRSA63J-104X	MG RESISTOR		
	R1341	NRSA63J-104X	MG RESISTOR		
	R1342	NRSA63J-102X	MG RESISTOR		
	R1343	NRSA63J-183X	MG RESISTOR		
	R1344	NRSA63J-104X	MG RESISTOR		
	R1345	NRSA63J-471X	MG RESISTOR		
	R1346	NRSA63J-103X	MG RESISTOR		
	R1347	NRSA63J-471X	MG RESISTOR		
	R1348	NRSA63J-103X	MG RESISTOR		
	R1349	NRSA63J-474X	MG RESISTOR		
△	R1350	QRZ9005-680X	F RESISTOR	68 1/0W	
△	R1351	QRZ9005-680X	F RESISTOR	68 1/0W	
	R1355	NRSA63J-222X	MG RESISTOR		
	R1356	NRSA63J-222X	MG RESISTOR		
	R1357	NRSA63J-392X	MG RESISTOR		
	R1358	NRSA63J-392X	MG RESISTOR		
	R1361	NRSA63J-561X	MG RESISTOR		
	R1362	NRSA63J-561X	MG RESISTOR		
	R1363	NRSA63J-104X	MG RESISTOR		
	R1364	NRSA63J-104X	MG RESISTOR		
	R1365	NRSA63J-104X	MG RESISTOR		
	R1366	NRSA63J-104X	MG RESISTOR		
	R1367	NRSA63J-104X	MG RESISTOR		
	R1368	NRSA63J-104X	MG RESISTOR		
	R1370	NRSA63J-471X	MG RESISTOR		
	R1371	NRSA63J-221X	MG RESISTOR		
	R1372	NRSA63J-101X	MG RESISTOR		
	R1373	NRSA63J-221X	MG RESISTOR		
	R1374	NRSA63J-221X	MG RESISTOR		
	R1375	NRSA63J-221X	MG RESISTOR		
	R1379	NRSA63J-750X	MG RESISTOR		
	R1380	NRSA63J-750X	MG RESISTOR		
	R1381	NRSA63J-750X	MG RESISTOR		
	R1382	NRSA63J-750X	MG RESISTOR		
	R1383	NRSA63J-750X	MG RESISTOR		
	R1384	NRSA63J-750X	MG RESISTOR		
	R1385	NRSA63J-750X	MG RESISTOR		
	R1386	NRSA63J-750X	MG RESISTOR		
	R1387	NRSA63J-750X	MG RESISTOR		
	R1388	NRSA63J-473X	MG RESISTOR		
	R1389	NRSA63J-473X	MG RESISTOR		
	R1390	NRSA63J-473X	MG RESISTOR		
	R1391	NRSA63J-393X	MG RESISTOR		
	R1392	NRSA63J-393X	MG RESISTOR		
	R1393	NRSA63J-104X	MG RESISTOR		
	R1394	NRSA63J-273X	MG RESISTOR		
	R1395	NRSA63J-104X	MG RESISTOR		
	R1396	NRSA63J-103X	MG RESISTOR		
	R1397	QRJ146J-5R6X	UNF C RESISTOR	5.6 5% 1/4W	
	R1398	NRSA63J-102X	MG RESISTOR		
	R1399	NRSA63J-152X	MG RESISTOR		
	X 200	QAX0260-001Z	CRYSTAL	NTSC ONLY	

■ Electrical parts list (DSP board)

Block No. 05

△	Item	Parts number	Parts name	Remarks	Area	△	Item	Parts number	Parts name	Remarks	Area
	C 571	NCB31HK-103X	C CAPACITOR				C2308	NEA71EM-475X	E CAPACITOR		
	C 573	NCF31CZ-104X	C CAPACITOR				C2347	NCS31HJ-330X	C CAPACITOR		
	C 577	NCS31HJ-101X	C CAPACITOR				C2348	NCS31HJ-330X	C CAPACITOR		
	C 579	NCS31HJ-101X	C CAPACITOR				C2349	NCF31CZ-104X	C CAPACITOR		
	C 581	NEA71CM-106X	E CAPACITOR				C2350	NCF31CZ-104X	C CAPACITOR		
	C 582	NEA71CM-106X	E CAPACITOR				C2351	NEA71HM-105X	E CAPACITOR		
	C 583	NEA70JM-476X	E CAPACITOR				C2352	NEA71HM-105X	E CAPACITOR		
	C 584	NCB31CK-104X	C CAPACITOR				C2353	NCS31HJ-330X	C CAPACITOR		
	C 587	NCF31CZ-104X	C CAPACITOR				C2354	NCS31HJ-330X	C CAPACITOR		
	C 588	NEA70JM-476X	E CAPACITOR				C2355	NCF31CZ-104X	C CAPACITOR		
	C 589	NCF31CZ-104X	C CAPACITOR				C2356	NCF31CZ-104X	C CAPACITOR		
	C 590	NEA70GM-107X	E CAPACITOR				C2357	NEA71EM-475X	E CAPACITOR		
	CN581	QGB1214K3-12W	CONNECTOR				C2358	NEA71EM-475X	E CAPACITOR		
	CN587	QGB2510K1-07	CONNECTOR				C2401	NCB31HK-102X	C CAPACITOR		
	C2001	NEA71EM-475X	E CAPACITOR				C2407	NEA71EM-475X	E CAPACITOR		
	C2002	NEA71EM-475X	E CAPACITOR				C2427	NEA71HM-225X	E CAPACITOR		
	C2003	NCB31HK-122X	C CAPACITOR				C2433	NCS31HJ-330X	C CAPACITOR		
	C2004	NCB31HK-122X	C CAPACITOR				C2439	NCF31CZ-104X	C CAPACITOR		
	C2005	NCS31HJ-121X	C CAPACITOR				C2440	NCF31CZ-104X	C CAPACITOR		
	C2006	NCS31HJ-121X	C CAPACITOR				C2441	NCF31CZ-104X	C CAPACITOR		
	C2007	NCS31HJ-391X	C CAPACITOR				C2442	NCF31CZ-104X	C CAPACITOR		
	C2008	NCS31HJ-391X	C CAPACITOR				C2481	NEA70JM-476X	E CAPACITOR		
	C2009	NCF31CZ-104X	C CAPACITOR				C2501	NCB31HK-103X	C CAPACITOR		
	C2010	NCF31CZ-104X	C CAPACITOR				C2502	NCB31HK-103X	C CAPACITOR		
	C2013	NCS31HJ-330X	C CAPACITOR				C2503	NCB31HK-103X	C CAPACITOR		
	C2014	NCS31HJ-330X	C CAPACITOR				C2504	NCB31HK-103X	C CAPACITOR		
	C2018	NEA70JM-476X	E CAPACITOR				C2505	NCB31HK-103X	C CAPACITOR		
	C2019	NCF31CZ-104X	C CAPACITOR				C2506	NCB31HK-103X	C CAPACITOR		
	C2020	NCF31CZ-104X	C CAPACITOR				C2507	NCB31HK-103X	C CAPACITOR		
	C2101	NCB31HK-103X	C CAPACITOR				C2508	NCB31HK-103X	C CAPACITOR		
	C2107	NEA71EM-475X	E CAPACITOR				C2509	NCB31HK-103X	C CAPACITOR		
	C2133	NCB31EK-223X	C CAPACITOR				C2510	NCB31HK-103X	C CAPACITOR		
	C2134	NCB31EK-223X	C CAPACITOR				C2511	NCB31HK-103X	C CAPACITOR		
	C2135	NEA71CM-106X	E CAPACITOR				C2512	NCB31HK-103X	C CAPACITOR		
	C2136	NEA71CM-106X	E CAPACITOR				C2513	NCB31HK-103X	C CAPACITOR		
	C2137	NEA71EM-475X	E CAPACITOR				C2514	NCB31HK-103X	C CAPACITOR		
	C2138	NEA71EM-475X	E CAPACITOR				C2515	NCB31HK-103X	C CAPACITOR		
	C2157	NEA71HM-225X	E CAPACITOR				C2516	NCB31HK-103X	C CAPACITOR		
	C2158	NCS31HJ-330X	C CAPACITOR				C2517	NCB31HK-103X	C CAPACITOR		
	C2187	NEA71HM-225X	E CAPACITOR				C2518	NCB31HK-103X	C CAPACITOR		
	C2189	NCS31HJ-330X	C CAPACITOR				C2519	NCB31HK-103X	C CAPACITOR		
	C2201	NCB31HK-102X	C CAPACITOR				C2520	NCB31HK-103X	C CAPACITOR		
	C2202	NCB31HK-102X	C CAPACITOR				C2521	NCB31HK-103X	C CAPACITOR		
	C2207	NEA71HM-225X	E CAPACITOR				C2522	NCB31HK-103X	C CAPACITOR		
	C2208	NEA71HM-225X	E CAPACITOR				C2523	NCF31CZ-104X	C CAPACITOR		
	C2230	NEA71EM-475X	E CAPACITOR				C2529	NEA70GM-107X	E CAPACITOR		
	C2237	NCS31HJ-330X	C CAPACITOR				C2532	NEA70GM-107X	E CAPACITOR		
	C2238	NCS31HJ-330X	C CAPACITOR				C2533	NCF31CZ-104X	C CAPACITOR		
	C2251	NCF31CZ-104X	C CAPACITOR				C2534	NCF31CZ-104X	C CAPACITOR		
	C2252	NCF31CZ-104X	C CAPACITOR				C2535	NEA70GM-107X	E CAPACITOR		
	C2253	NCF31CZ-104X	C CAPACITOR				C2536	NCF31CZ-104X	C CAPACITOR		
	C2254	NCF31CZ-104X	C CAPACITOR				C2551	NCS31HJ-270X	C CAPACITOR		
	C2255	NCF31CZ-104X	C CAPACITOR				C2552	NCS31HJ-270X	C CAPACITOR		
	C2256	NCF31CZ-104X	C CAPACITOR				C2553	NEA70GM-107X	E CAPACITOR		
	C2257	NEA71HM-225X	E CAPACITOR				C2555	NCF31CZ-104X	C CAPACITOR		
	C2258	NEA71HM-225X	E CAPACITOR				C2556	NCF31CZ-104X	C CAPACITOR		
	C2261	NEA71EM-475X	E CAPACITOR				C2557	NCS31HJ-330X	C CAPACITOR		
	C2262	NEA71EM-475X	E CAPACITOR				C2560	NCF31CZ-104X	C CAPACITOR		
	C2283	NCS31HJ-330X	C CAPACITOR				C2561	NCF31CZ-104X	C CAPACITOR		
	C2284	NCS31HJ-330X	C CAPACITOR				C2562	NCF31CZ-104X	C CAPACITOR		
	C2301	NCB31HK-102X	C CAPACITOR				C2563	NCF31CZ-104X	C CAPACITOR		
	C2302	NCB31HK-102X	C CAPACITOR				C2564	NCS31HJ-101X	C CAPACITOR		
	C2307	NEA71EM-475X	E CAPACITOR				C2568	NEA71HM-105X	E CAPACITOR		

■ Electrical parts list (DSP board)

Block No. 05

△	Item	Parts number	Parts name	Remarks	Area	△	Item	Parts number	Parts name	Remarks	Area
	C2601	NCB31CK-104X	C CAPACITOR				R 574	NRSA63J-432X	MG RESISTOR		
	C2605	NCB31CK-104X	C CAPACITOR				R 575	NRSA63J-432X	MG RESISTOR		
	C2701	NCB31HK-221X	C CAPACITOR				R 576	NRSA63J-432X	MG RESISTOR		
	C2702	NCB31HK-221X	C CAPACITOR				R 577	NRSA63J-822X	MG RESISTOR		
	C2703	NEA70JM-476X	E CAPACITOR				R 578	NRSA63J-822X	MG RESISTOR		
	C2704	NEA70JM-476X	E CAPACITOR				R 579	NRSA63J-822X	MG RESISTOR		
	C2705	NCF31CZ-104X	C CAPACITOR				R 580	NRSA63J-822X	MG RESISTOR		
	C2706	NCF31CZ-104X	C CAPACITOR				R 582	NRSA63J-103X	MG RESISTOR		
	C2707	NCB31CK-104X	C CAPACITOR				R2001	NRSA63J-104X	MG RESISTOR		
	C2710	NEA70JM-476X	E CAPACITOR				R2002	NRSA63J-104X	MG RESISTOR		
	C2712	NCF31CZ-104X	C CAPACITOR				R2003	NRSA63J-103X	MG RESISTOR		
	EP561	E409182-001SM	GRAND TERMINAL				R2004	NRSA63J-103X	MG RESISTOR		
	IC501	XCA56367PV150	IC				R2005	NRSA63J-103X	MG RESISTOR		
	IC502	TC7S04FU-X	IC				R2006	NRSA63J-103X	MG RESISTOR		
	IC503	TC7S04FU-X	IC				R2007	NRSA63J-103X	MG RESISTOR		
	IC505	PQ070XZ1HZ-X	IC				R2008	NRSA63J-103X	MG RESISTOR		
	IC511	W24L010AJ-12-X	IC				R2009	NRSA63J-103X	MG RESISTOR		
	IC521	BA15218F-XE	IC				R2010	NRSA63J-103X	MG RESISTOR		
	IC522	BA15218F-XE	IC				R2011	NRSA63J-223X	MG RESISTOR		
	IC523	BA15218F-XE	IC				R2012	NRSA63J-223X	MG RESISTOR		
	IC524	BA15218F-XE	IC				R2013	NRSA63J-223X	MG RESISTOR		
	IC525	BA15218F-XE	IC				R2014	NRSA63J-223X	MG RESISTOR		
	IC526	BA15218F-XE	IC				R2017	NRSA63J-472X	MG RESISTOR		
	IC527	BA15218F-XE	IC				R2018	NRSA63J-472X	MG RESISTOR		
	IC528	BA15218F-XE	IC				R2021	NRSA63J-331X	MG RESISTOR		
	IC529	BA15218F-XE	IC				R2022	NRSA63J-331X	MG RESISTOR		
	IC551	AK4112AVF-X	IC				R2023	NRSA63J-331X	MG RESISTOR		
	IC571	AK4527BVQ	IC				R2024	NRSA63J-331X	MG RESISTOR		
	IC581	UPD784215AGC152	IC				R2101	NRSA63J-103X	MG RESISTOR		
	IC582	TC7SET32FU-X	IC				R2105	NRSA63J-102X	MG RESISTOR		
	IC583	PQ3DZ53-X	IC				R2107	NRSA63J-104X	MG RESISTOR		
	J 564	QNN0347-001	PIN JACK				R2127	NRSA63J-223X	MG RESISTOR		
	K2606	NQR0269-004X	FERRITE BEADS				R2128	NRSA63J-223X	MG RESISTOR		
	K2607	NQR0269-004X	FERRITE BEADS				R2129	NRSA63J-223X	MG RESISTOR		
	LC501	NQR0322-001X	EMI FILTER				R2130	NRSA63J-104X	MG RESISTOR		
	LC502	NQR0322-001X	EMI FILTER				R2131	NRSA63J-104X	MG RESISTOR		
	LC503	NQR0322-001X	EMI FILTER				R2132	NRSA63J-103X	MG RESISTOR		
	LC551	NQR0322-001X	EMI FILTER				R2133	NRSA63J-102X	MG RESISTOR		
	Q 570	DTC114YE-X	TRANSISTOR				R2134	NRSA63J-103X	MG RESISTOR		
	Q 572	DTC114YE-X	TRANSISTOR				R2135	NRSA63J-222X	MG RESISTOR		
	Q2101	2SD1328/ST/-X	TRANSISTOR				R2136	NRSA63J-103X	MG RESISTOR		
	Q2151	DTA114YE-X	TRANSISTOR				R2137	NRSA63J-103X	MG RESISTOR		
	Q2152	DTA114YE-X	TRANSISTOR				R2138	NRSA63J-223X	MG RESISTOR		
	Q2153	DTA114YE-X	TRANSISTOR				R2139	NRSA63J-103X	MG RESISTOR		
	Q2154	DTA114YE-X	TRANSISTOR				R2140	NRSA63J-105X	MG RESISTOR		
	Q2155	DTA114YE-X	TRANSISTOR				R2157	NRSA63J-104X	MG RESISTOR		
	Q2156	DTA114YE-X	TRANSISTOR				R2158	NRSA63J-303X	MG RESISTOR		
	Q2157	DTA114YE-X	TRANSISTOR				R2159	NRSA63J-113X	MG RESISTOR		
	Q2163	2SD1328/ST/-X	TRANSISTOR				R2171	NRSA63J-105X	MG RESISTOR		
	Q2164	2SD1328/ST/-X	TRANSISTOR				R2172	NRSA63J-105X	MG RESISTOR		
	Q2165	2SD1328/ST/-X	TRANSISTOR				R2181	NRSA63J-105X	MG RESISTOR		
	Q2201	2SD1328/ST/-X	TRANSISTOR				R2182	NRSA63J-105X	MG RESISTOR		
	Q2202	2SD1328/ST/-X	TRANSISTOR				R2183	NRSA63J-105X	MG RESISTOR		
	Q2273	2SD1328/ST/-X	TRANSISTOR				R2184	NRSA63J-105X	MG RESISTOR		
	Q2274	2SD1328/ST/-X	TRANSISTOR				R2186	NRSA63J-105X	MG RESISTOR		
	Q2301	2SD1328/ST/-X	TRANSISTOR				R2187	NRSA63J-104X	MG RESISTOR		
	Q2302	2SD1328/ST/-X	TRANSISTOR				R2189	NRSA63J-223X	MG RESISTOR		
	Q2363	2SD1328/ST/-X	TRANSISTOR				R2201	NRSA63J-103X	MG RESISTOR		
	Q2364	2SD1328/ST/-X	TRANSISTOR				R2202	NRSA63J-103X	MG RESISTOR		
	Q2401	2SD1328/ST/-X	TRANSISTOR				R2205	NRSA63J-102X	MG RESISTOR		
	Q2431	2SD1328/ST/-X	TRANSISTOR				R2206	NRSA63J-102X	MG RESISTOR		
	R 570	NRSA63J-103X	MG RESISTOR				R2207	NRSA63J-104X	MG RESISTOR		
	R 573	NRSA63J-432X	MG RESISTOR				R2208	NRSA63J-104X	MG RESISTOR		

■ Electrical parts list (DSP board)

Block No. 05

△	Item	Parts number	Parts name	Remarks	Area	△	Item	Parts number	Parts name	Remarks	Area
	R2221	NRSA63J-333X	MG RESISTOR				R2506	NRSA63J-473X	MG RESISTOR		
	R2222	NRSA63J-333X	MG RESISTOR				R2507	NRSA63J-473X	MG RESISTOR		
	R2225	NRSA63J-104X	MG RESISTOR				R2508	NRSA63J-473X	MG RESISTOR		
	R2226	NRSA63J-104X	MG RESISTOR				R2511	NRSA63J-221X	MG RESISTOR		
	R2227	NRSA63J-104X	MG RESISTOR				R2512	NRSA63J-221X	MG RESISTOR		
	R2231	NRSA63J-333X	MG RESISTOR				R2513	NRSA63J-221X	MG RESISTOR		
	R2232	NRSA63J-333X	MG RESISTOR				R2514	NRSA63J-103X	MG RESISTOR		
	R2233	NRSA63J-333X	MG RESISTOR				R2515	NRSA63J-103X	MG RESISTOR		
	R2234	NRSA63J-333X	MG RESISTOR				R2516	NRSA63J-103X	MG RESISTOR		
	R2235	NRSA63J-333X	MG RESISTOR				R2517	NRSA63J-103X	MG RESISTOR		
	R2236	NRSA63J-333X	MG RESISTOR				R2518	NRSA63J-221X	MG RESISTOR		
	R2237	NRSA63J-683X	MG RESISTOR				R2519	NRSA63J-221X	MG RESISTOR		
	R2238	NRSA63J-683X	MG RESISTOR				R2520	NRSA63J-221X	MG RESISTOR		
	R2257	NRSA63J-104X	MG RESISTOR				R2521	NRSA63J-103X	MG RESISTOR		
	R2258	NRSA63J-104X	MG RESISTOR				R2522	NRSA63J-103X	MG RESISTOR		
	R2261	NRSA63J-104X	MG RESISTOR				R2523	NRSA63J-103X	MG RESISTOR		
	R2262	NRSA63J-104X	MG RESISTOR				R2531	NRSA63F-511X	MG RESISTOR		
	R2263	NRSA63J-103X	MG RESISTOR				R2532	NRSA63F-102X	MG RESISTOR		
	R2264	NRSA63J-103X	MG RESISTOR				R2551	NRSA63J-183X	MG RESISTOR		
	R2273	NRSA63J-103X	MG RESISTOR				R2552	NRSA63J-221X	MG RESISTOR		
	R2274	NRSA63J-103X	MG RESISTOR				R2553	NRSA63J-221X	MG RESISTOR		
	R2275	NRSA63J-682X	MG RESISTOR				R2554	NRSA63J-221X	MG RESISTOR		
	R2276	NRSA63J-682X	MG RESISTOR				R2555	NRSA63J-221X	MG RESISTOR		
	R2277	NRSA63J-105X	MG RESISTOR				R2557	NRSA63J-221X	MG RESISTOR		
	R2278	NRSA63J-105X	MG RESISTOR				R2559	NRSA63J-221X	MG RESISTOR		
	R2283	NRSA63J-103X	MG RESISTOR				R2560	NRSA63J-221X	MG RESISTOR		
	R2284	NRSA63J-103X	MG RESISTOR				R2561	NRSA63J-112X	MG RESISTOR		
	R2285	NRSA63J-113X	MG RESISTOR				R2562	NRSA63J-112X	MG RESISTOR		
	R2286	NRSA63J-113X	MG RESISTOR				R2563	NRSA63J-112X	MG RESISTOR		
	R2301	NRSA63J-103X	MG RESISTOR				R2564	NRSA63J-750X	MG RESISTOR		
	R2302	NRSA63J-103X	MG RESISTOR				R2568	NRSA63J-221X	MG RESISTOR		
	R2305	NRSA63J-102X	MG RESISTOR				R2571	NRSA63J-512X	MG RESISTOR		
	R2306	NRSA63J-102X	MG RESISTOR				R2572	NRSA63J-512X	MG RESISTOR		
	R2307	NRSA63J-104X	MG RESISTOR				R2573	NRSA63J-512X	MG RESISTOR		
	R2308	NRSA63J-104X	MG RESISTOR				R2581	NRSA63J-221X	MG RESISTOR		
	R2349	NRSA63J-303X	MG RESISTOR				R2582	NRSA63J-221X	MG RESISTOR		
	R2350	NRSA63J-303X	MG RESISTOR				R2583	NRSA63J-221X	MG RESISTOR		
	R2351	NRSA63J-113X	MG RESISTOR				R2584	NRSA63J-221X	MG RESISTOR		
	R2352	NRSA63J-113X	MG RESISTOR				R2585	NRSA63J-221X	MG RESISTOR		
	R2353	NRSA63J-222X	MG RESISTOR				R2586	NRSA63J-221X	MG RESISTOR		
	R2354	NRSA63J-222X	MG RESISTOR				R2587	NRSA63J-221X	MG RESISTOR		
	R2355	NRSA63J-103X	MG RESISTOR				R2589	NRSA63J-221X	MG RESISTOR		
	R2356	NRSA63J-103X	MG RESISTOR				R2591	NRSA63J-221X	MG RESISTOR		
	R2357	NRSA63J-223X	MG RESISTOR				R2593	NRSA63J-221X	MG RESISTOR		
	R2358	NRSA63J-223X	MG RESISTOR				R2594	NRSA63J-221X	MG RESISTOR		
	R2359	NRSA63J-103X	MG RESISTOR				R2595	NRSA63J-221X	MG RESISTOR		
	R2360	NRSA63J-103X	MG RESISTOR				R2596	NRSA63J-221X	MG RESISTOR		
	R2363	NRSA63J-104X	MG RESISTOR				R2597	NRSA63J-102X	MG RESISTOR		
	R2364	NRSA63J-104X	MG RESISTOR				R2611	NRSA63J-473X	MG RESISTOR		
	R2401	NRSA63J-103X	MG RESISTOR				R2612	NRSA63J-473X	MG RESISTOR		
	R2405	NRSA63J-102X	MG RESISTOR				R2613	NRSA63J-473X	MG RESISTOR		
	R2407	NRSA63J-104X	MG RESISTOR				R2614	NRSA63J-473X	MG RESISTOR		
	R2425	NRSA63J-103X	MG RESISTOR				R2615	NRSA63J-473X	MG RESISTOR		
	R2427	NRSA63J-104X	MG RESISTOR				R2616	NRSA63J-473X	MG RESISTOR		
	R2429	NRSA63J-103X	MG RESISTOR				R2701	NRSA63J-473X	MG RESISTOR		
	R2431	NRSA63J-113X	MG RESISTOR				R2702	NRSA63J-473X	MG RESISTOR		
	R2433	NRSA63J-823X	MG RESISTOR				R2703	NRSA63J-473X	MG RESISTOR		
	R2485	NRSA63J-102X	MG RESISTOR				R2709	NRSA63J-221X	MG RESISTOR		
	R2501	NRSA63J-105X	MG RESISTOR				R2715	NRSA63J-432X	MG RESISTOR		
	R2502	NRSA63J-473X	MG RESISTOR				R2716	NRSA63J-221X	MG RESISTOR		
	R2503	NRSA63J-473X	MG RESISTOR				R2717	NRSA63J-221X	MG RESISTOR		
	R2504	NRSA63J-473X	MG RESISTOR				R2718	NRSA63J-221X	MG RESISTOR		
	R2505	NRSA63J-473X	MG RESISTOR				UN560	GP1FA550TZ	OPT TRANSMITTER		
							UN561	GP1FA550RZ	OPT RECEIVER		
							UN562	GP1FA550RZ	OPT RECEIVER		
							UN563	GP1FA550RZ	OPT RECEIVER		
							X 581	NAX0275-001X	1COSCIALLATOR		
							X2501	NAX0308-001X	RESONATOR		
							X2551	NAX0213-001X	CRYSTAL		

■ Electrical parts list (Micon board)

Block No. 06

△	Item	Parts number	Parts name	Remarks	Area	△	Item	Parts number	Parts name	Remarks	Area
△	C 1	QCZ9104-47Z	C CAPACITOR	4700PF		△	D 52	1SR35-400A-T5	DIODE		
	C 44	QETN1CM-477Z	E CAPACITOR	470MF 20% 16V		△	D 53	1SR35-400A-T5	DIODE		
	C 45	QCF31HZ-472Z	C CAPACITOR	4700PF +80:-20%		△	D 54	1SR35-400A-T5	DIODE		
	C 51	QFLC2AJ-472Z	M CAPACITOR	4700PF 5% 100V			D 56	MTZJ6.2B-T2	Z DIODE		
	C 52	QETM1EM-108	E CAPACITOR	1000MF 20% 25V			D 57	1SS133-T2	SI DIODE		
	C 54	QETN1CM-477Z	E CAPACITOR	470MF 20% 16V		△	D 61	10E2-FD	DIODE		
	C 55	QCF31HZ-472Z	C CAPACITOR	4700PF +80:-20%		△	D 62	1SR35-400A-T5	DIODE		
	C 61	QFLC2AJ-104Z	M CAPACITOR	.10MF 5% 100V		△	D 63	10E2-FD	DIODE		
	C 62	QFLC2AJ-104Z	M CAPACITOR	.10MF 5% 100V		△	D 64	1SR35-400A-T5	DIODE		
	C 63	QFLC2AJ-104Z	M CAPACITOR	.10MF 5% 100V			D 67	1SS133-T2	SI DIODE		
	C 65	QETM1VM-338	E CAPACITOR	3300MF 20% 35V			D 71	1SR35-400A-T5	DIODE		
	C 66	QETM1VM-108	E CAPACITOR	1000MF 20% 35V			D 72	1SR35-400A-T5	DIODE		
	C 68	QFLC1HJ-473Z	M CAPACITOR	.047MF 5% 50V			D 73	1SR35-400A-T5	DIODE		
	C 69	QFLC1HJ-473Z	M CAPACITOR	.047MF 5% 50V			D 74	MTZJ33C-T2	Z DIODE		
	C 70	QETN1HM-227Z	E CAPACITOR	220MF 20% 50V			D 75	MTZJ8.2C-T2	Z DIODE		
	C 71	QETN1JM-107Z	E CAPACITOR	100MF 20% 63V			D 900	1SR35-400A-T5	DIODE		
	C 72	QETN1HM-226Z	E CAPACITOR	22MF 20% 50V			D 901	1SR35-400A-T5	DIODE		
	C 73	QETN1HM-226Z	E CAPACITOR	22MF 20% 50V			D 902	1SR35-400A-T5	DIODE		
	C 74	QETN1HM-105Z	E CAPACITOR	1.0MF 20% 50V			D 903	1SR35-400A-T5	DIODE		
	C 901	QETN0JM-107Z	E CAPACITOR	100MF 20% 6.3V			D 904	1SS133-T2	SI DIODE		
	C 902	QCZ0205-155Z	ML C CAPACITOR	1.5MF			D 921	MTZJ5.6C-T2	ZENER DIODE		
	C 903	QETN0JM-228Z	E CAPACITOR	2200MF 20% 6.3V			D 931	MTZJ6.2C-T2	Z DIODE		
	C 904	QETN1HM-225Z	E CAPACITOR	2.2MF 20% 50V			D 941	MTZJ5.6C-T2	Z DIODE		
	C 905	QDVB1EZ-223Y	C CAPACITOR				D 951	MTZJ13C-T2	Z DIODE		
	C 921	QETN1EM-107Z	E CAPACITOR	100MF 20% 25V			D 961	MTZJ13C-T2	Z DIODE		
	C 922	QCF31HZ-472Z	C CAPACITOR	4700PF +80:-20%			D 971	MTZJ10C-T2	Z DIODE		
	C 931	QETN1EM-107Z	E CAPACITOR	100MF 20% 25V			D 975	1SS133-T2	SI DIODE		
	C 932	QCF31HZ-472Z	C CAPACITOR	4700PF +80:-20%			D 976	1SS133-T2	SI DIODE		
	C 941	QETN1EM-107Z	E CAPACITOR	100MF 20% 25V			D 977	1SS133-T2	SI DIODE		
	C 942	QCF31HZ-472Z	C CAPACITOR	4700PF +80:-20%			D 978	1SS133-T2	SI DIODE		
	C 951	QETN1EM-107Z	E CAPACITOR	100MF 20% 25V			D 979	1SS133-T2	SI DIODE		
	C 952	QCF31HZ-472Z	C CAPACITOR	4700PF +80:-20%			D 993	1SS133-T2	SI DIODE		
	C 961	QETN1EM-107Z	E CAPACITOR	100MF 20% 25V			EP 1	E409182-001SM	GRAND TERMINAL		
	C 962	QCF31HZ-472Z	C CAPACITOR	4700PF +80:-20%			EP 51	QNZ0136-001Z	EARTH PLATE		
	C 971	QETN1EM-107Z	E CAPACITOR	100MF 20% 25V			EP 91	E406523-001SM	GND BKT		
	C 972	QCF31HZ-472Z	C CAPACITOR	4700PF +80:-20%			EP901	QNZ0136-001Z	EARTH PLATE		
	C 975	QETN0JM-477Z	E CAPACITOR	470MF 20% 6.3V			FC 1	QNG0020-001Z	FUSE CLIP	F001	
	C 981	QCBB1HK-331Y	C CAPACITOR	330PF 10% 50V			FC 2	QNG0020-001Z	FUSE CLIP	F001	
	C 982	QCBB1HK-331Y	C CAPACITOR	330PF 10% 50V			FC 61	QNG0020-001Z	FUSE CLIP	F061	
	C 983	QCBB1HK-331Y	C CAPACITOR	330PF 10% 50V			FC 62	QNG0020-001Z	FUSE CLIP	F061	
	C 984	QCBB1HK-331Y	C CAPACITOR	330PF 10% 50V			FC 63	QNG0020-001Z	FUSE CLIP	F062	
	C 985	QCBB1HK-103Y	C CAPACITOR	.010MF 10% 50V			FC 64	QNG0020-001Z	FUSE CLIP	F062	
	C 991	QFLC1HJ-562Z	M CAPACITOR	5600PF 5% 50V			FL991	QQR0590-001	FILTER		
	C 992	QFLC1HJ-562Z	M CAPACITOR	5600PF 5% 50V			FL992	QQR0590-001	FILTER		
	C 993	QCBB1HK-101Y	C CAPACITOR	100PF 10% 50V			FW 51	QUM137-10DGZ4	PARA RIBON WIRE		
	C 994	QCBB1HK-271Y	C CAPACITOR	270PF 10% 50V			FW831	QUM134-08DGZ4	PARA RIBON WIRE		
	CN 55	QGD2501C1-03Z	SOCKET				FW881	QUM133-44DGZ4	PARA RIBON WIRE		
	CN 56	QGD2501C1-04Z	SOCKET				HL901	VYH7237-002	IC HOLDER		
	CN 71	QGB2510J1-11	CONNECTOR				HS921	E70945-H40B	HEAT SINK		
	CN 81	QGB2510J1-09	CONNECTOR				HS931	E70945-H40B	HEAT SINK		
	CN101	QGB2501J1-12	CONNECTOR				HS941	E70945-H40B	HEAT SINK		
	CN201	QGB2510J1-11	CONNECTOR				HS951	E70306-001	HEAT SINK		
	CN241	QGB2510J1-12	CONNECTOR				HS961	E70306-001	HEAT SINK		
	CN301	QGB2510J1-14	CONNECTOR				HS971	E70306-001	HEAT SINK		
	CN303	QGB2510J1-13	CONNECTOR			△	IC901	MN101C49GHM	IC	u-h--	
	CN400	QGF1205C1-10	CONNECTOR				IC903	IC-PST9139-T	IC		
	CN402	QGF1205C1-08	CONNECTOR				J 91	QNS0022-001	JACK		
	CN601	QGB2510J1-07	CONNECTOR				Q 42	KTD863/Y-T	TRANSISTOR		
	CN811	QGA3901F2-03	CONNECTOR				Q 52	KTD863/Y-T	TRANSISTOR		
	CN931	QGD2501C1-04Z	SOCKET				Q 53	KRC105M-T	D TRANSISTOR		
	CN932	QGD2501C1-03Z	SOCKET				Q 61	KRC105M-T	D TRANSISTOR		
	D 46	MTZJ6.2A-T2	Z DIODE				Q 71	KTA1046/Y/	TRANSISTOR		
△	D 51	1SR35-400A-T5	DIODE				Q 74	KTC3200/GL-T	TRANSISTOR		

■ Electrical parts list (Micon board)

Block No. 06

△	Item	Parts number	Parts name	Remarks	Area
	Q 901	KRC107M-T	D TRANSISTOR		
	Q 903	KRC105M-T	D TRANSISTOR		
	Q 904	KRC105M-T	D TRANSISTOR		
	Q 905	KRC105M-T	D TRANSISTOR		
	Q 906	KRC105M-T	D TRANSISTOR		
	Q 907	KRC105M-T	D TRANSISTOR		
	Q 908	KRC105M-T	D TRANSISTOR		
△	Q 921	2SD2395/EF/	TRANSISTOR		
△	Q 931	2SD2395/EF/	TRANSISTOR		
△	Q 941	2SD2395/EF/	TRANSISTOR		
△	Q 951	2SD2395/EF/	TRANSISTOR		
△	Q 961	KTA1046/Y/	TRANSISTOR		
△	Q 971	2SD2395/EF/	TRANSISTOR		
△	R 1	QRZ9044-335	COMP RESISTOR	3.3M 1/0W	
	R 44	QRE141J-821Y	C RESISTOR	820 5% 1/4W	
△	R 53	QRJ146J-6R8X	UNF C RESISTOR	6.8 5% 1/4W	
	R 54	QRE141J-821Y	C RESISTOR	820 5% 1/4W	
	R 61	QRJ146J-3R3X	UNF C RESISTOR	3.3 5% 1/4W	
△	R 67	QRJ146J-120X	UNF C RESISTOR	12 5% 1/4W	
	R 72	QRJ146J-332X	UNF C RESISTOR	3.3K 5% 1/4W	
	R 73	QRE141J-223Y	C RESISTOR	22K 5% 1/4W	
	R 74	QRE141J-104Y	C RESISTOR	100K 5% 1/4W	
	R 91	QRL022J-471	UNF OMF RESISTOR	470 5% 1/2W	
	R 92	QRL022J-471	UNF OMF RESISTOR	470 5% 1/2W	
	R 903	QRE141J-331Y	C RESISTOR	330 5% 1/4W	
	R 908	QRE141J-223Y	C RESISTOR	22K 5% 1/4W	
	R 910	QRE141J-223Y	C RESISTOR	22K 5% 1/4W	
	R 911	QRE141J-472Y	C RESISTOR	4.7K 5% 1/4W	
△	R 915	QRT022J-8R2	UNF MF RESISTOR	8.2 5% 1/2W	
△	R 916	QRT022J-8R2	UNF MF RESISTOR	8.2 5% 1/2W	
△	R 917	QRL012J-100	UNF OMF RESISTOR	10 5% 1/1W	
△	R 921	QRK126J-330X	UNF C RESISTOR	33 5% 1/2W	
△	R 922	QRK126J-330X	UNF C RESISTOR	33 5% 1/2W	
△	R 923	QRJ146J-272X	UNF C RESISTOR	2.7K 5% 1/4W	
	R 924	QRE141J-103Y	C RESISTOR	10K 5% 1/4W	
	R 925	QRE141J-221Y	C RESISTOR	220 5% 1/4W	
	R 926	QRE141J-221Y	C RESISTOR	220 5% 1/4W	
	R 927	QRE141J-221Y	C RESISTOR	220 5% 1/4W	
	R 928	QRE141J-221Y	C RESISTOR	220 5% 1/4W	
	R 929	QRE141J-221Y	C RESISTOR	220 5% 1/4W	
	R 930	QRE141J-103Y	C RESISTOR	10K 5% 1/4W	
△	R 931	QRL017J-390	UNF OMF RESISTOR	39 5% 1/1W	
△	R 932	QRL017J-390	UNF OMF RESISTOR	39 5% 1/1W	
△	R 933	QRJ146J-272X	UNF C RESISTOR	2.7K 5% 1/4W	
	R 937	QRE141J-221Y	C RESISTOR	220 5% 1/4W	
	R 938	QRE141J-221Y	C RESISTOR	220 5% 1/4W	
	R 939	QRE141J-221Y	C RESISTOR	220 5% 1/4W	
	R 940	QRJ146J-4R7X	UNF C RESISTOR	4.7 5% 1/4W	
△	R 941	QRK126J-330X	UNF C RESISTOR	33 5% 1/2W	
△	R 942	QRK126J-330X	UNF C RESISTOR	33 5% 1/2W	
△	R 943	QRJ146J-272X	UNF C RESISTOR	2.7K 5% 1/4W	
	R 944	QRE141J-221Y	C RESISTOR	220 5% 1/4W	
	R 945	QRE141J-221Y	C RESISTOR	220 5% 1/4W	
	R 946	QRE141J-221Y	C RESISTOR	220 5% 1/4W	
	R 947	QRE141J-221Y	C RESISTOR	220 5% 1/4W	
	R 948	QRE141J-221Y	C RESISTOR	220 5% 1/4W	
	R 949	QRE141J-221Y	C RESISTOR	220 5% 1/4W	
△	R 951	QRK126J-120X	UNF C RESISTOR	12 5% 1/2W	
△	R 953	QRJ146J-222X	UNF C RESISTOR	2.2K 5% 1/4W	
	R 954	QRE141J-221Y	C RESISTOR	220 5% 1/4W	
	R 955	QRE141J-221Y	C RESISTOR	220 5% 1/4W	
	R 956	QRE141J-221Y	C RESISTOR	220 5% 1/4W	
△	R 961	QRK126J-120X	UNF C RESISTOR	12 5% 1/2W	

△	Item	Parts number	Parts name	Remarks	Area
△	R 963	QRJ146J-222X	UNF C RESISTOR	2.2K 5% 1/4W	
	R 965	QRE141J-103Y	C RESISTOR	10K 5% 1/4W	
	R 966	QRE141J-103Y	C RESISTOR	10K 5% 1/4W	
	R 967	QRE141J-103Y	C RESISTOR	10K 5% 1/4W	
	R 968	QRE141J-103Y	C RESISTOR	10K 5% 1/4W	
	R 969	QRE141J-103Y	C RESISTOR	10K 5% 1/4W	
△	R 971	QRJ146J-120X	UNF C RESISTOR	12 5% 1/4W	
△	R 973	QRJ146J-332X	UNF C RESISTOR	3.3K 5% 1/4W	
	R 975	QRJ146J-220X	UNF C RESISTOR	22 5% 1/4W	
	R 976	QRE141J-472Y	C RESISTOR	4.7K 5% 1/4W	
	R 977	QRE141J-472Y	C RESISTOR	4.7K 5% 1/4W	
	R 978	QRE141J-472Y	C RESISTOR	4.7K 5% 1/4W	
	R 979	QRE141J-472Y	C RESISTOR	4.7K 5% 1/4W	
	R 980	QRE141J-221Y	C RESISTOR	220 5% 1/4W	
	R 981	QRE141J-221Y	C RESISTOR	220 5% 1/4W	
	R 982	QRE141J-221Y	C RESISTOR	220 5% 1/4W	
	R 983	QRE141J-221Y	C RESISTOR	220 5% 1/4W	
	R 984	QRE141J-221Y	C RESISTOR	220 5% 1/4W	
	R 985	QRE141J-221Y	C RESISTOR	220 5% 1/4W	
	R 986	QRE141J-221Y	C RESISTOR	220 5% 1/4W	
	R 987	QRE141J-221Y	C RESISTOR	220 5% 1/4W	
	R 991	QRE141J-472Y	C RESISTOR	4.7K 5% 1/4W	
	R 992	QRE141J-472Y	C RESISTOR	4.7K 5% 1/4W	
	R 993	QRE141J-622Y	C RESISTOR	6.2K 5% 1/4W	
	R 994	QRE141J-512Y	C RESISTOR	5.1K 5% 1/4W	
	R 995	QRE141J-133Y	C RESISTOR	13K 5% 1/4W	
	R 996	QRE141J-332Y	C RESISTOR	3.3K 5% 1/4W	
	R 997	QRE141J-153Y	C RESISTOR	15K 5% 1/4W	
	R 998	QRE141J-562Y	C RESISTOR	5.6K 5% 1/4W	
	R 999	QRE141J-103Y	C RESISTOR	10K 5% 1/4W	
△	RY 1	QSK0098-001	RELAY		
	RY 62	QSK0088-001	RELAY		
	RY 63	QSK0088-001	RELAY		
△	T 2	QQT0317-001	POWER TRANSF		
	TA 1	QNZ0079-001Z	TAB		
	TA 2	QNZ0079-001Z	TAB		
△	TH 71	QAD0095-4R7Z	POSISTOR		
	X 901	QAX0246-001Z	RESONATOR		

■ Electrical parts list (Tuner board)

Block No. 07

△	Item	Parts number	Parts name	Remarks	Area
	AT101	QNB0014-001	ANT TERMINAL		
	BK 1	LV31618-001A	SHIELD BKT		
	C 101	NCB21HK-103X	C CAPACITOR		
	C 103	NCB21HK-223X	C CAPACITOR		
	C 105	NCB21HK-223X	C CAPACITOR		
	C 107	QEK1CM-226Z	E CAPACITOR	22MF 20% 16V	
	C 111	NCB21HK-473X	C CAPACITOR		
	C 112	NDC21HJ-120X	C CAPACITOR		
	C 121	NDC21HJ-120X	C CAPACITOR		
	C 122	NDC21HJ-120X	C CAPACITOR		
	C 123	NCB21HK-473X	C CAPACITOR		
	C 126	NCS21HJ-101X	C CAPACITOR		
	C 128	QENC1HM-474Z	NP E CAPACITOR	.47MF 20% 50V	
	C 129	NCB21HK-102X	C CAPACITOR		
	C 130	QEK1AM-107Z	E CAPACITOR	100MF 20% 10V	
	C 133	QEK1CM-226Z	E CAPACITOR	22MF 20% 16V	
	C 134	NCB21HK-222X	C CAPACITOR		
	C 135	NCB21HK-223X	C CAPACITOR		
	C 136	QEK1HM-105Z	E CAPACITOR	1.0MF 20% 50V	
	C 137	NCB21HK-331X	C CAPACITOR		
	C 138	NCB21HK-473X	C CAPACITOR		
	C 139	NCB21HK-333X	C CAPACITOR		
	C 140	NCB21HK-333X	C CAPACITOR		
	C 141	NCB21HK-473X	C CAPACITOR		
	C 143	NCB21HK-223X	C CAPACITOR		
	C 144	NCB21HK-473X	C CAPACITOR		
	C 146	QEK1HM-105Z	E CAPACITOR	1.0MF 20% 50V	
	C 147	QEK1HM-105Z	E CAPACITOR	1.0MF 20% 50V	
	C 148	QEK1HM-224Z	E CAPACITOR	.22MF 20% 50V	
	C 149	QEK1HM-105Z	E CAPACITOR	1.0MF 20% 50V	
	C 150	QEK1CM-226Z	E CAPACITOR	22MF 20% 16V	
	C 156	QDGB1HK-102Y	C CAPACITOR		
	C 157	NCB21HK-473X	C CAPACITOR		
	C 158	QEK1CM-226Z	E CAPACITOR	22MF 20% 16V	
	C 161	QEK1CM-106Z	E CAPACITOR	10MF 20% 16V	
	C 162	QEK1CM-106Z	E CAPACITOR	10MF 20% 16V	
	C 163	NCB21HK-223X	C CAPACITOR		
	C 164	NCB21HK-473X	C CAPACITOR		
	C 168	QEK1HM-105Z	E CAPACITOR	1.0MF 20% 50V	
	C 184	QEK1CM-107Z	E CAPACITOR	100MF 20% 16V	
	C 185	QEK1CM-106Z	E CAPACITOR	10MF 20% 16V	
	C 186	QEK1CM-106Z	E CAPACITOR	10MF 20% 16V	
	CF101	QAX0419-001Z	C FILTER		
	CF102	QAX0604-001Z	C FILTER		
	CF103	QAX0519-001Z	C FILTER		
	CN111	QGB2501K2-12	CONECTOR		
	D 121	1SS133-T2	SI DIODE		
	D 123	1SS133-T2	SI DIODE		
	D 124	1SS133-T2	SI DIODE		
	D 125	1SS133-T2	SI DIODE		
	D 129	1SS133-T2	SI DIODE		
	IC102	LA1838	IC		
	IC121	LC72136N	IC		
	Q 102	2SC535/BC/-T	TRANSISTOR		
	Q 103	2SC461/BC/-T	TRANSISTOR		
	Q 121	KRA103M-T	TRANSISTOR	FM+B	
	R 103	NRSA02J-221X	MG RESISTOR		
	R 104	NRSA02J-272X	MG RESISTOR		
	R 105	NRSA02J-391X	MG RESISTOR		
	R 106	NRSA02J-102X	MG RESISTOR		
	R 107	NRSA02J-391X	MG RESISTOR		
	R 108	NRSA02J-332X	MG RESISTOR		
	R 109	NRSA02J-221X	MG RESISTOR		

△	Item	Parts number	Parts name	Remarks	Area
	R 115	NRSA02J-104X	MG RESISTOR		
	R 119	NRSA02J-103X	MG RESISTOR		
	R 122	NRSA02J-472X	MG RESISTOR		
	R 124	NRSA02J-222X	MG RESISTOR		
	R 126	NRSA02J-562X	MG RESISTOR		
	R 127	NRSA02J-822X	MG RESISTOR		
	R 128	NRSA02J-472X	MG RESISTOR		
	R 129	NRSA02J-222X	MG RESISTOR		
△	R 130	QRZ9005-680X	F RESISTOR	68 1/0W	
	R 132	NRSA02J-393X	MG RESISTOR		
	R 133	NRSA02J-392X	MG RESISTOR		
	R 134	NRSA02J-102X	MG RESISTOR		
	R 140	NRSA02J-183X	MG RESISTOR		
	R 141	NRSA02J-102X	MG RESISTOR		
	R 142	NRSA02J-470X	MG RESISTOR		
	R 143	NRSA02J-562X	MG RESISTOR		
	R 144	NRSA02J-332X	MG RESISTOR		
	R 145	NRSA02J-103X	MG RESISTOR		
	R 146	NRSA02J-392X	MG RESISTOR		
	R 147	NRSA02J-332X	MG RESISTOR		
	R 150	NRSA02J-331X	MG RESISTOR		
	R 157	NRSA02J-682X	MG RESISTOR		
	R 158	NRSA02J-682X	MG RESISTOR		
	R 161	NRSA02J-102X	MG RESISTOR		
	R 162	NRSA02J-102X	MG RESISTOR		
	R 182	NRSA02J-103X	MG RESISTOR		
	R 183	NRSA02J-103X	MG RESISTOR		
	R 184	NRSA02J-103X	MG RESISTOR		
	RF101	QAU0124-002	FRONT END		
	T 111	QQR0796-001	COIL BLOCK		
	T 142	QQR0973-001	IFT		
	X 121	QAX0402-001	CRYSTAL		

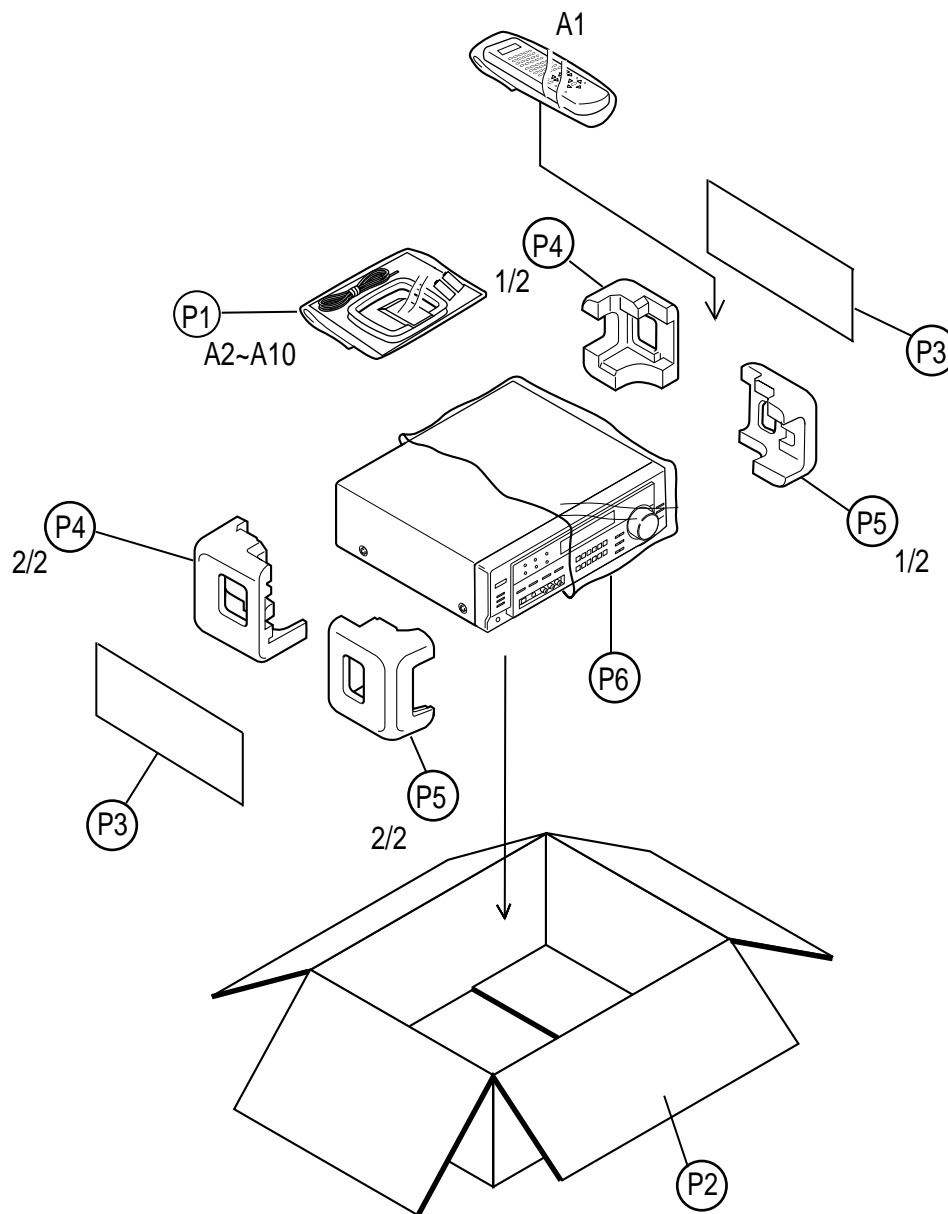
Packing materials and accessories parts list

Block No.

M	2	M	M
---	---	---	---

Block No.

M	3	M	M
---	---	---	---



Parts list (Packing)

Block No. M2MM

△	Item	Parts number	Parts name	Q'ty	Description	Area
	P 1	QPA02503505P	POLY BAG	1	FOR INST	
	P 2	LV20989-018A	CARTON BOX	1		
	P 3	LV32034-003A	SHEET	2		
	P 4	LV20947-001A	PACKING PAD	1		
	P 5	LV20948-001A	PACKING PAD	1		
	P 6	QPC06507015P	POLY BAG	1	FOR SET	

Parts list (Accessories)

Block No. M3MM

△	Item	Parts number	Parts name	Q'ty	Description	Area
	A 1	RM-SRX9010J	REMOCON	1		
	A 2	LV42570-001A	SHEET	1		
	A 3	-----	BATTERY	2		
	A 4	LVT0620-001B	INST BOOK	1	ENG	
	A 5	QAL0236-001	ANTENNA	1		
	A 6	QAL0219-001	LED CABLE ASSY	1		
	A 7	EWP503-001C	ANT.WIRE	1		
	A 8	QAL0204-001	AM LOOP ANT	1		
	A 9	BT-51020-2	J=REGIST CARD	1		
	A 10	YU20333	SAFETY INST.	1		